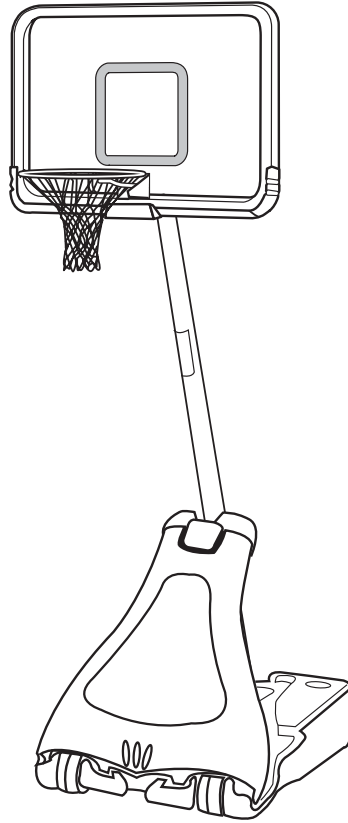


HUFFY[®]SPORTS

Portable System Owners Manual

Customer Service Center

• N53 W24700 South Corporate Circle • Sussex, WI 53089 • U.S.A.



! WARNING!

**READ AND UNDERSTAND
OPERATOR'S MANUAL
BEFORE USING THIS UNIT.**

**FAILURE TO FOLLOW
OPERATING INSTRUCTIONS
COULD RESULT IN INJURY
OR DAMAGE TO PROPERTY.**

REQUIRED TOOLS AND MATERIALS:

- Two People
- Tape Measure
- Wood Board (Scrap)
- Wrenches: (Two) 7/16", 1/2", 9/16", 3/4" or Large and Small Adjustable Wrenches
- Safety Goggles
- Sawhorse or Support Table
- Step Ladder 8 ft. (2.4 m)
- Garden Hose or Sand (225 lb.) (102 kg)
- Hammer
- Tape
- Phillips Head Screw Driver

Toll-Free Customer Service Number for U.S: **1-800-558-5234**,

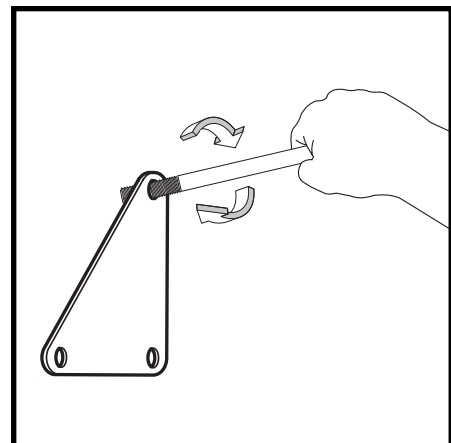
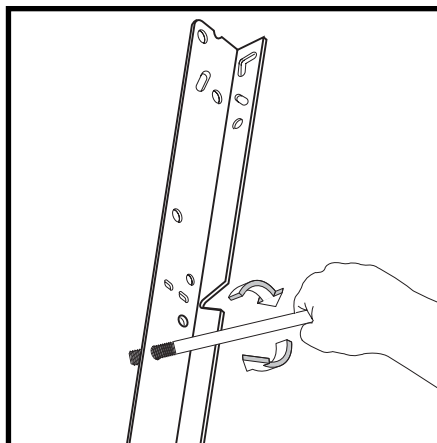
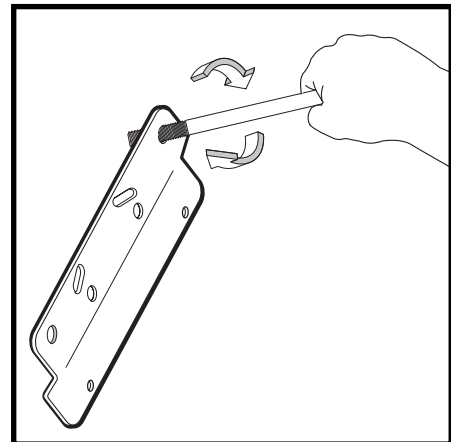
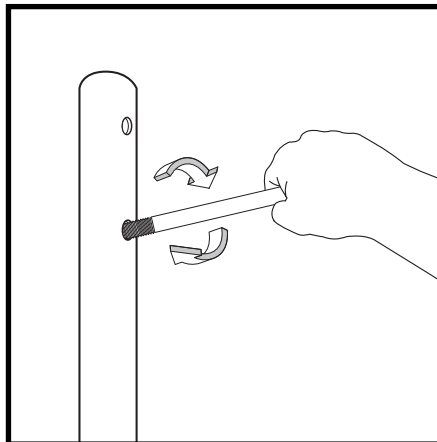
For Canada: **1-800-284-8339**,

For Europe: **00 800 555 85234** (Sweden: **009 555 85234**),

For Australia: **1-800-333 061**

Internet Address: <http://www.huffysports.com>

BEFORE YOU START!



To ensure optimal playability of backboard system, a close tolerance fit between the elevator components and hardware is required. Test-fit large bolts into large holes of elevator tubes, backboard brackets, and triangle plates. Carefully rock them in a circular motion to ream out any excess paint from holes if necessary.

AVANT DE COMMENCER !

Pour garantir l'utilisation optimale du panneau, les composants du système élévateur et la visserie doivent être bien ajustés (serrés). À titre d'essai, insérez les gros boulons dans les gros trous des tubes du système élévateur, des supports du panneau et des plaques triangulaires. Basculez-les avec précaution en imprimant un mouvement circulaire pour éliminer l'excédent de peinture, si nécessaire.

¡ANTES DE COMENZAR!

Para asegurar el óptimo rendimiento del sistema del respaldo en el juego, se requiere un ajuste de tolerancia estrecha entre los componentes del elevador y el herraje. Pruebe el ajuste de los pernos grandes en los orificios grandes de los tubos elevadores, soportes del respaldo y placas triangulares. Cuidadosamente muévalos en círculos para eliminar cualquier exceso de pintura, si es necesario.

VORBEREITENDE MASSNAHMEN

Um sicherzustellen, dass das Korbwandssystem optimal für den Spielbetrieb geeignet ist, müssen die Komponenten der Verlängerungsvorrichtung und die verschiedenen Befestigungsteile fest miteinander verschraubt werden. Große Schrauben zur Probe in die großen Löcher der Verlängerungsrohre, Korbwandklammern und Dreiecksplatte stecken und diese vorsichtig in einer Kreisbewegung hin- und herbewegen, um eventuelle Farbrückstände aus den Bohrungen zu entfernen.



WARNING

**FAILURE TO FOLLOW THESE WARNINGS MAY RESULT
IN SERIOUS INJURY AND/OR PROPERTY DAMAGE.**

*Owner must ensure that all players know and follow
these rules for safe operation of the system.*

- **DO NOT HANG** on the rim or any part of the system including backboard, support braces or net.
- During play, especially when performing dunk type activities, keep player's face away from the backboard, rim and net. Serious injury could occur if teeth/face come in contact with backboard, rim or net.
- Do not slide, climb, shake or play on base and/or pole.
- After assembly is complete, fill system completely with water or sand and stake to the ground. Never leave system in an upright position without filling base with weight, as system may tip over causing injuries.
- When adjusting height or moving system, keep hands and fingers away from moving parts.
- Do not allow children to move or adjust system.
- During play, do not wear jewelry (rings, watches, necklaces, etc.). Objects may entangle in net.
- Surface beneath the base must be smooth and free of gravel or other sharp objects. Punctures cause leakage and could cause system to tip over.
- Keep organic material away from pole base. Grass, litter, etc. could cause corrosion and/or deterioration.
- Check pole system for signs of corrosion (rust, pitting, chipping) and repaint with exterior enamel paint. If rust has penetrated through the steel anywhere, replace pole immediately.
- Check system before each use for proper ballast, loose hardware, excessive wear and signs corrosion and repair before use.
- Check system before each use for instability.
- Do not use system during windy and/or severe weather conditions; system may tip over. Place system in the storage position and/or in an area protected from the wind and free from personal property and/or overhead wires.
- Never play on damaged equipment.
- See instruction manual for proper installation and maintenance.
- When moving system, use caution to keep mechanism from shifting.
- Keep pole top covered with cap at all times.
- Do not allow water in tank to freeze. During sub-freezing weather add non-toxic antifreeze, sand or empty tank completely and store. (Do not use salt.)
- Use extreme caution if placing system on sloped surface. System may tip over more easily.

HUFFY® SPORTS

In the U.S.: 1-800-558-5234 and Canada: 1-800-284-8339

201241 2/99



SAFETY INSTRUCTIONS



FAILURE TO FOLLOW THESE SAFETY INSTRUCTIONS MAY RESULT IN SERIOUS INJURY OR PROPERTY DAMAGE AND WILL VOID WARRANTY.

Owner must ensure that all players know and follow these rules for safe operation of the system.

To ensure safety, do not attempt to assemble this system without following the instructions carefully. Check entire box and inside all packing material for parts and/or additional instruction material. Before beginning assembly, read the instructions and identify parts using the hardware identifier and parts list in this document. Proper and complete assembly, use, and supervision are essential for proper operation and to reduce the risk of accident or injury. A high probability of serious injury exists if this system is not installed, maintained, and operated properly.

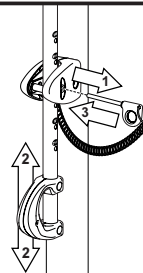
- If using a ladder during assembly, use extreme caution.
- Two (2) people are recommended for this operation.
- Check base regularly for leakage. Slow leaks could cause system to tip over unexpectedly.
- Seat the pole sections properly (if applicable). Failure to do so could allow the pole sections to separate during play and/or transport of the system.
- Climate, corrosion or misuse could result in system failure.
- Minimum operational height is 6' 6" (1.98 m) to the bottom of backboard.
- This equipment is intended for home recreational use only and NOT excessive competitive play.
- Read and understand the warning label affixed to pole. Label is shown to the right.
- The life of your basketball pole depends on many conditions. The climate, placement of the pole, the location of the pole, exposure to corrosives such as pesticides, herbicides or salts are all important.
- If technical assistance is required, contact Huffy Sports.
- Adult supervision is recommended when adjusting height.

*Most injuries are caused by misuse and/or not following instructions.
Use caution when using this system.*

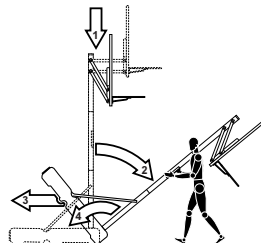
HEIGHT ADJUSTMENT

TO ADJUST BACKBOARD:

1. While holding handle, remove pin.
2. Move elevator up or down to desired height.
3. Replace pin full length to lock system at desired height.



MOVING SYSTEM



1. Adjust basketball backboard height to lowest position.
2. While holding pole, rotate basketball system forward until wheels engage with ground.
3. Move basketball system to desired location.
4. Carefully rotate basketball system upright.
5. Reattach ground restraint and check system for stability.

201252 2/99



Questions or Missing Parts?

DON'T go back to store!

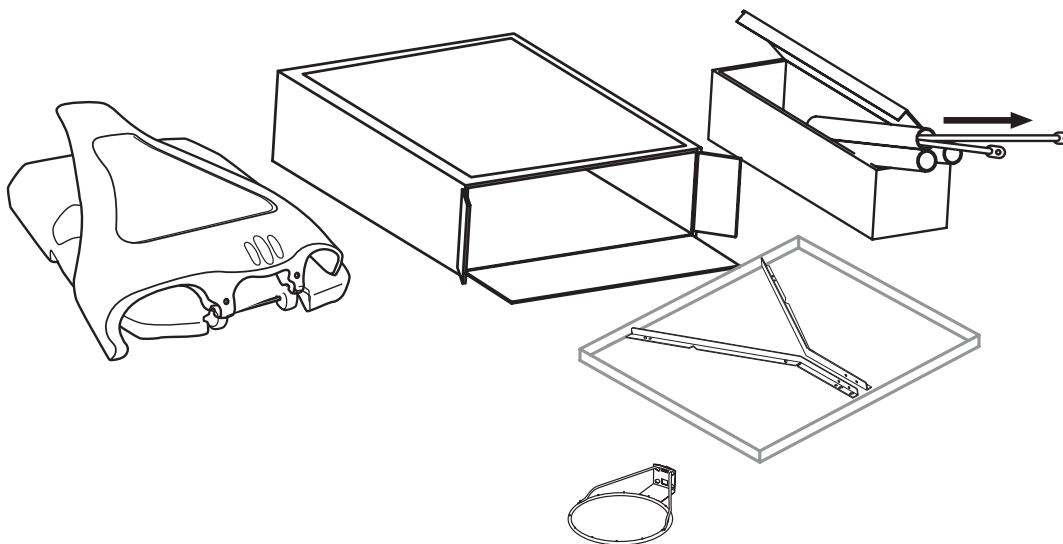
Call TOLL-FREE Customer Service
Number listed on the front page!

NOTICE TO ASSEMBLERS

ALL Huffy Sports Basketball Systems, including those used for DISPLAYS, MUST be assembled and ballasted with sand or water according to the instructions. Failure to follow instructions could result in SERIOUS INJURY. It is NOT acceptable to devise a makeshift weight system.

IMPORTANT!

**Remove all contents from boxes.
Be sure to check inside pole sections;
hardware and additional parts are packed inside.**

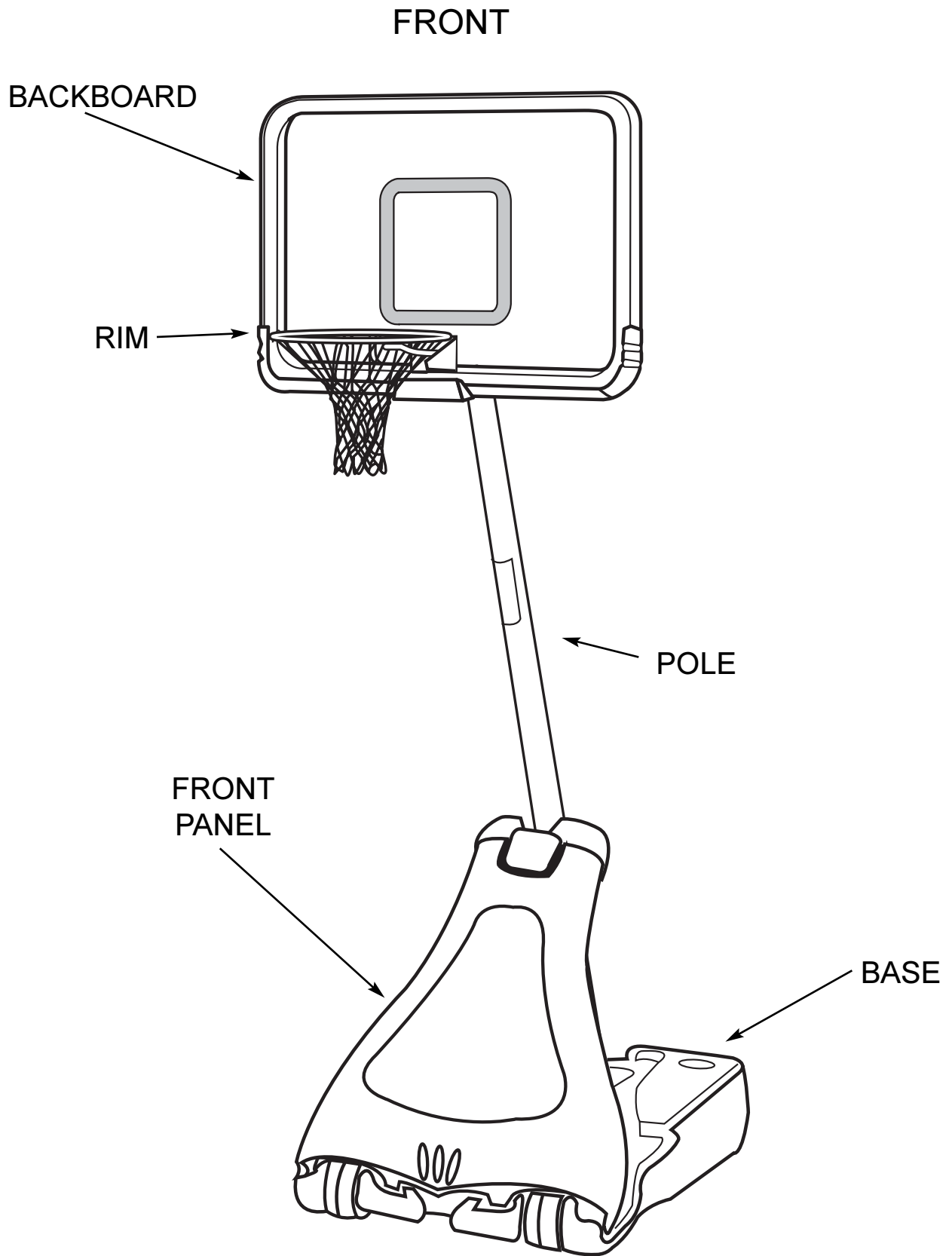


WARRANTY CARD:

Please remember to complete your product registration form either on-line at:
www.huffysports.com or mail-in the enclosed postcard.

For more information on assembly, placement, proper use, and maintenance, visit The American Basketball Council website at <http://www.smarthoops.com>.

Get to know the basic parts of your basketball system.....



PARTS LIST - (See Hardware Identifier)

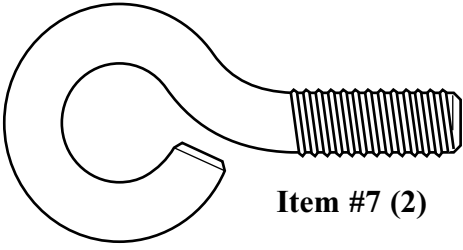
<u>Item</u>	<u>Qty.</u>	<u>Part No.</u>	<u>Description</u>
1	1	200503	Cover, Black
2	1	806620	Base Assembly
3	1	804833	Exacta Height Assembly
4	1	908006	Top Pole Section
5	1	908107	Middle Pole Section
6	1	908005	Bottom Pole Section
7	2	206934	Large Eyebolt, 3/8"
8	2	203063	Nylon Insert Lock Nut, 3/8-16
9	1	206634	Rod, 1/2 x 9-1/2 Long
10	1	203099	Nut, Ny-lock, 5/16-18
11	4	201681	Spacer, Plastic .530 I.D. x .88 Long
12	1	202662	Bolt, Hex Head, 5/16-18 x 4-1/2 Long
13	2	200341	Nut Cover
14	5	203100	Hex Flange Nut 5/16-18
15	1	204832	Bracket, Pole Mount
16	2	203053	Carriage Bolt, 5/16-18 x 4 Long
17	4	203232	Washer, Metal, 3/4" O.D.
18	4	201124	Lock Nut, 3/8-16
19	4	206360	Bolt, Hex Head, 3/8-16 x 2-5/8 Long
20	2	204858	Spacer, Plastic Biscuit
21	2	204857	Spacer, Metal 1/2" O.D. x 1.44 Long
22	2	204859	Cover, Pin Slide
23	1	203038	Carriage Bolt, 5/16-18 x 2-3/4 Long
24	1	204850	Pin, Locking
25	1	204853	Lanyard, Black Coil
26	4	201683	Spacer, .530 I.D. x 1.5 Long
27	2	900964	Bracket, Backboard Support
28	2	200874	Spacer, Steel .402 I.D. x .5 O.D. x 1.5 Long
29	6	206244	Bolt, Hex Head, 1/2-13 x 8 Long
30	4	201642	Spacer, Plastic, .530 I.D. x .625 Long
31	7	206340	Lock Nut, Hex Head, 1/2-13
32	2	904820	Elevator Tube, Lower - Long
33	1	204837	Spring, Counter Balance
34	1	900235	Rim
35	2	904808	Elevator Tube, Upper - Short
36	2	201682	Spacer, .530 I.D. x 1.875
37	2	900867	Plate, Triangle, (Black)
38	1	207103	Cap, Pole Top
39	2	200520	Screw, #8 x 1/2
40	1	202605	Bolt, Hex, 1/2-13 x 4.25 Long
41	1	206219	Plug, Tank Cap
42	12*	201219	Net Clip, (White)
43	1	204290	Net
44	1	204444	Black Nylon Rope
45	1	203124	Stake, Tie Down
46	1	201252	Label, Height Adjustment and Moving
47	6	203309	Washer, .406 I.D. x 1 O.D. Flat
48	4*	205528	Bolt, Hex Flange, 5/16-18 x 1 Long
49	1	206990	Reinforcement Bracket

NOTE: Hardware kit is designed for more than one style of basketball system. Not all hardware will be used.

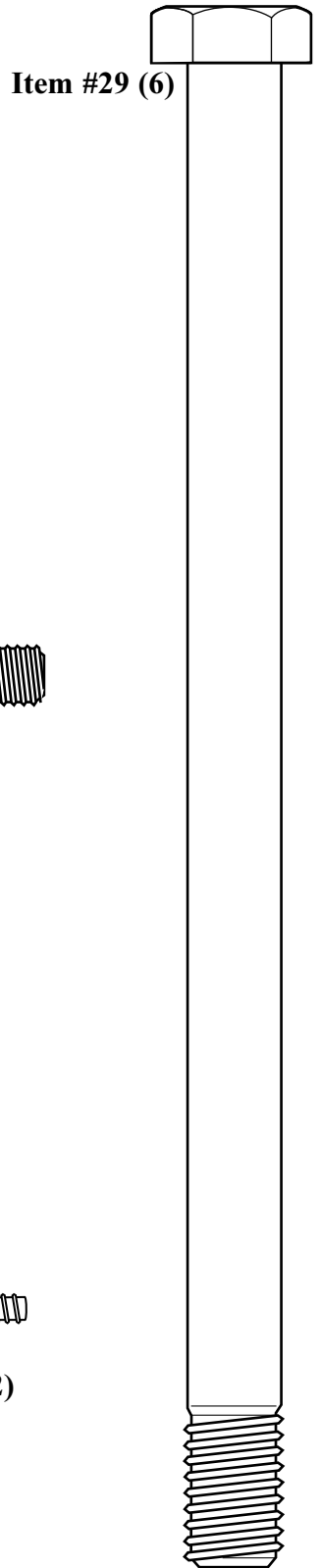
* YOU MAY HAVE EXTRA PARTS WITH THIS MODEL.

WARNING: IF YOUR SYSTEM IS EQUIPPED WITH AN ACRYLIC BACKBOARD, EXAMINE BACKBOARD FOR ANY DAMAGE THAT MAY HAVE OCCURRED DURING SHIPMENT. CRACKS IN THE BACKBOARD COULD RESULT IN SUDDEN BREAKAGE. IF BACKBOARD IS DAMAGED IN ANY WAY PRIOR TO OR AFTER ASSEMBLY, CALL TOLL-FREE NUMBER:
 U.S. 1-800-558-5234; CANADA: 1-800-284-8339; <http://www.huffysports.com>

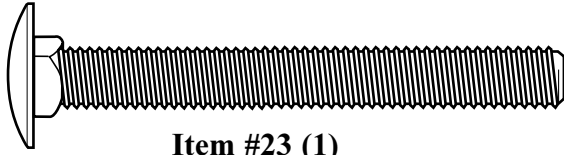
HARDWARE IDENTIFIER (BOLTS & SCREWS)



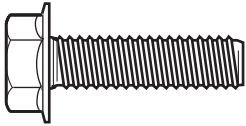
Item #7 (2)



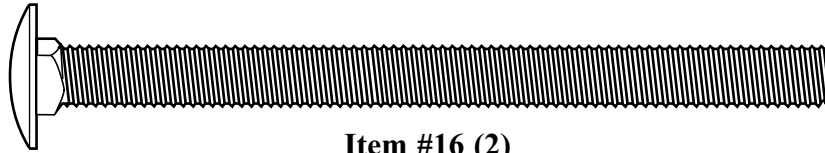
Item #29 (6)



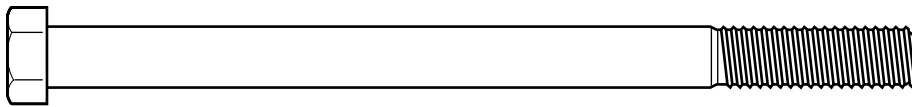
Item #23 (1)



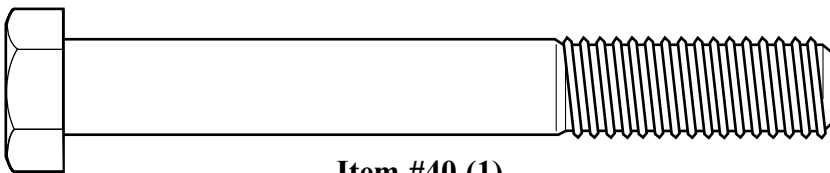
Item #48 (4)



Item #16 (2)



Item #12 (1)



Item #40 (1)



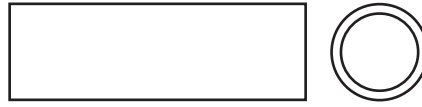
Item #50 (2)

* You may have extra parts with this model.

HARDWARE IDENTIFIER (STEEL SPACERS)

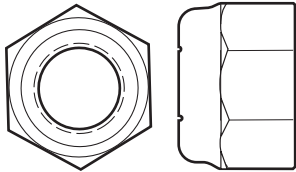


Item #21 (2)

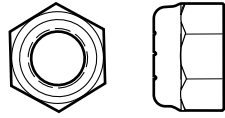


Item #28 (2)

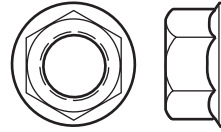
HARDWARE IDENTIFIER (NUTS & WASHERS)



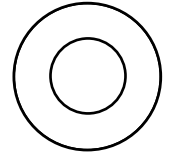
Item #31 (7)



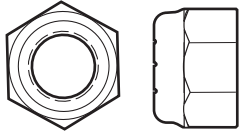
Item #10 (1)



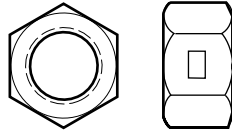
Item #14 (11)



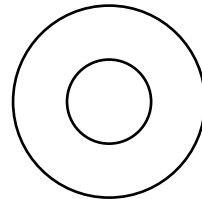
Item #17 (4)



Item #8 (2)

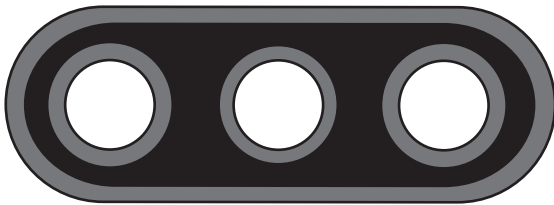


Item #18 (4)

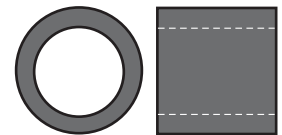


Item #47 (6)

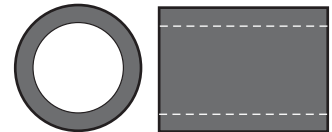
HARDWARE IDENTIFIER (PLASTIC SPACERS CAPS & CLIPS)



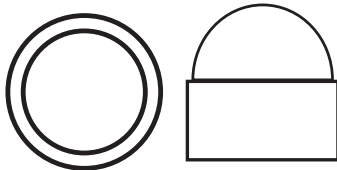
Item #20 (2)



Item #30 (4)



Item #11(4)



Item #13 (2)



Item #42 (12)*



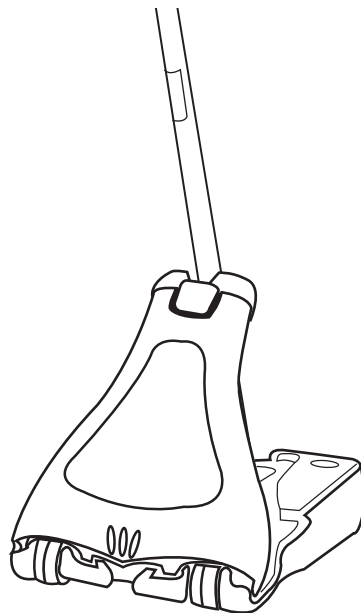
Item #26 (4)



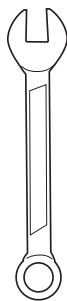
Item #36 (2)

SECTION A: ASSEMBLE THE BASE

This is what your system will look like when you've finished this section:



TOOLS REQUIRED FOR THIS SECTION



Wrenches

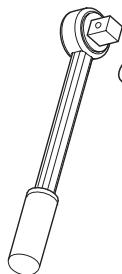
(2) 1/2"
(2) 3/4"



Phillips-Head Screwdriver

And/Or:

(2) Socket Wrenches and Sockets

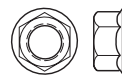


1/2" 9/16"



Extension

HARDWARE USED IN THIS SECTION (not actual size)



Item #14



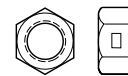
Item #10



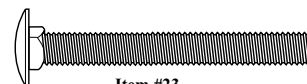
Item #8



Item #19



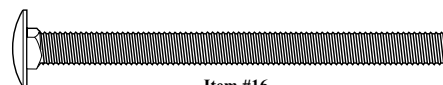
Item #18



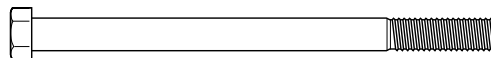
Item #23



Item #20



Item #16



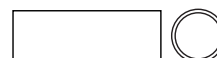
Item #12 (1)



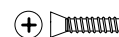
Item #47



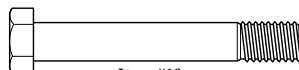
Item #13



Item #21

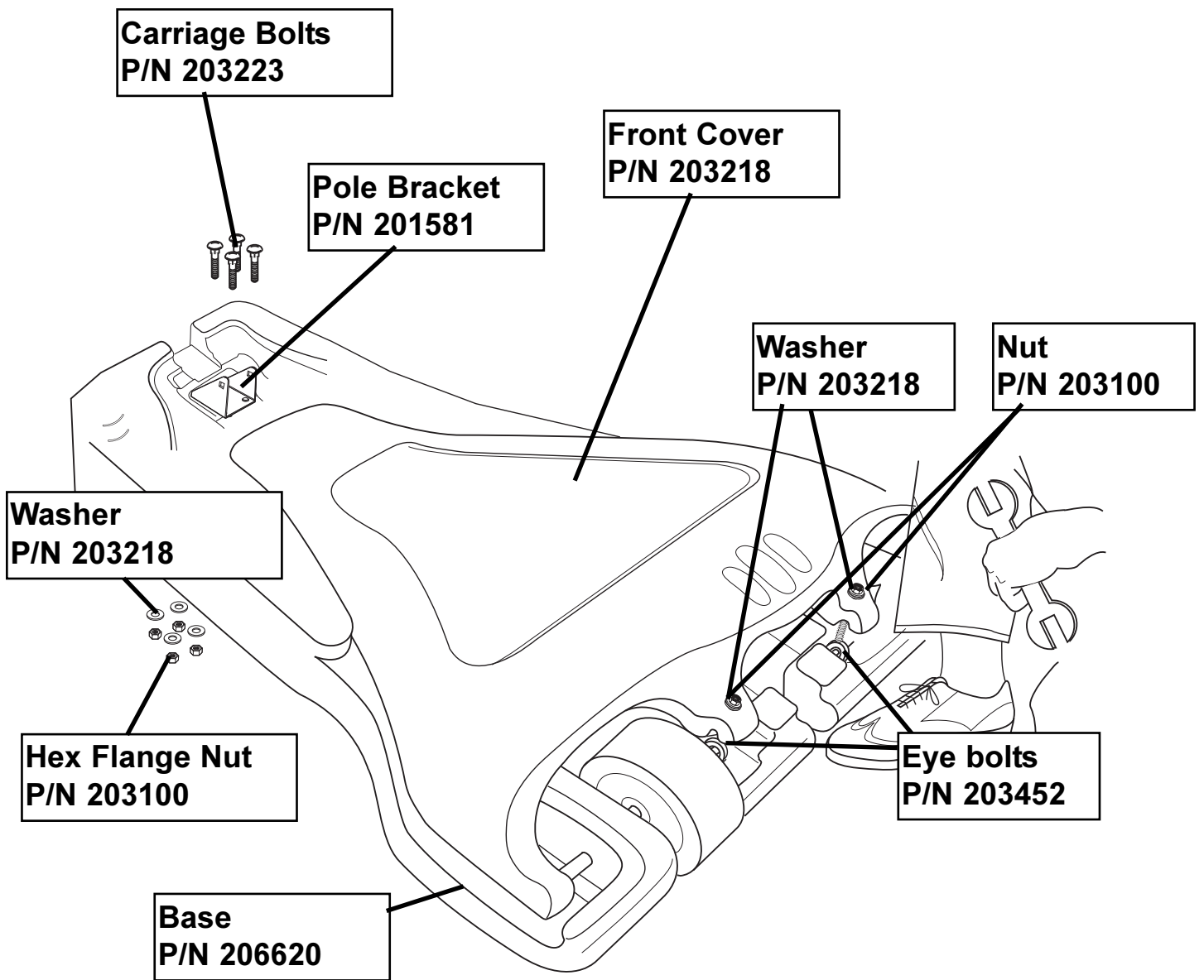


Item #50



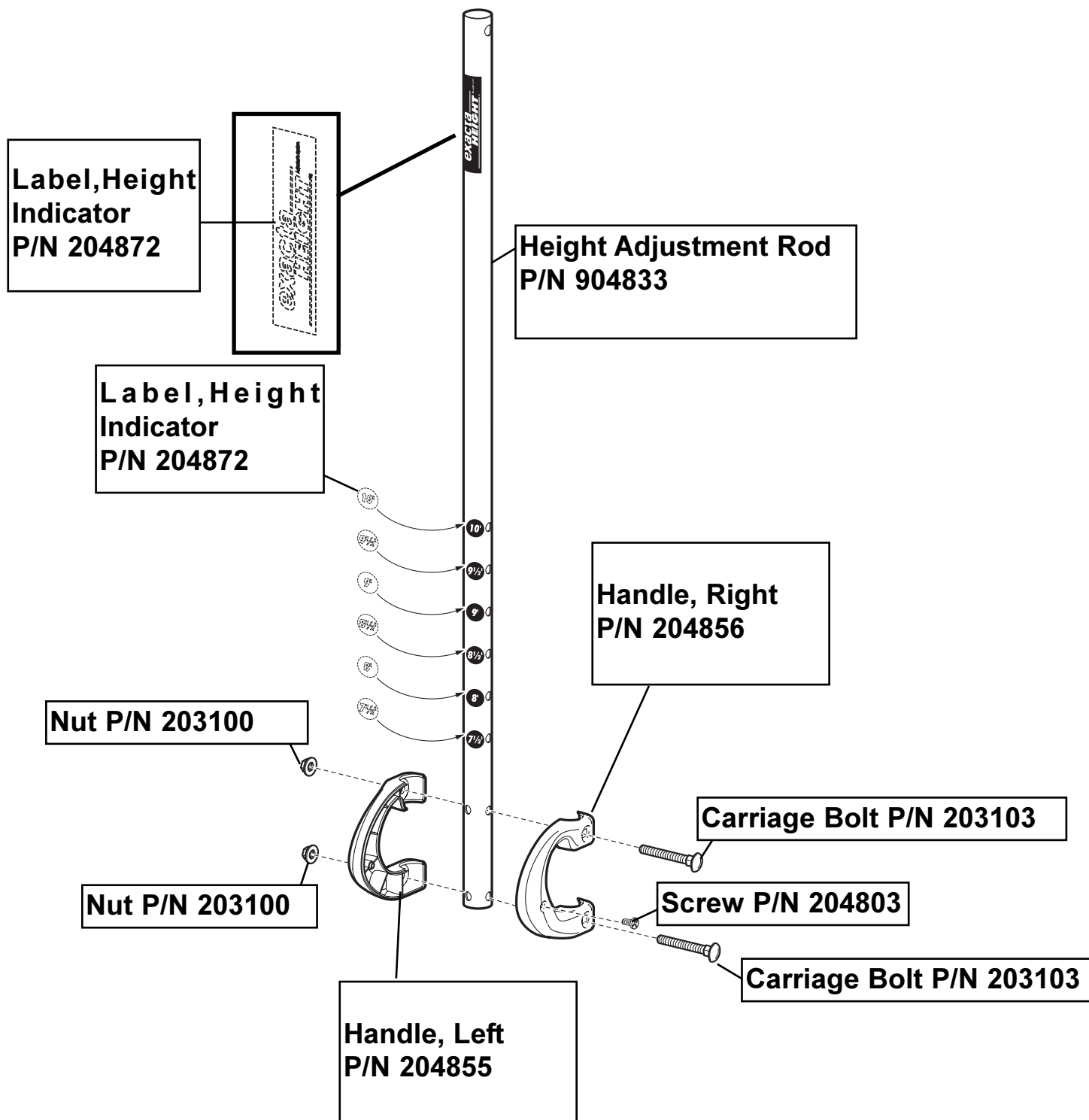
Item #19

1A. Check the following pre-assembled base areas for tightness: **Eye bolts P/N 203452, Washer P/N 203218, Nut P/N 203100, Carriage Bolts P/N 203223 .**

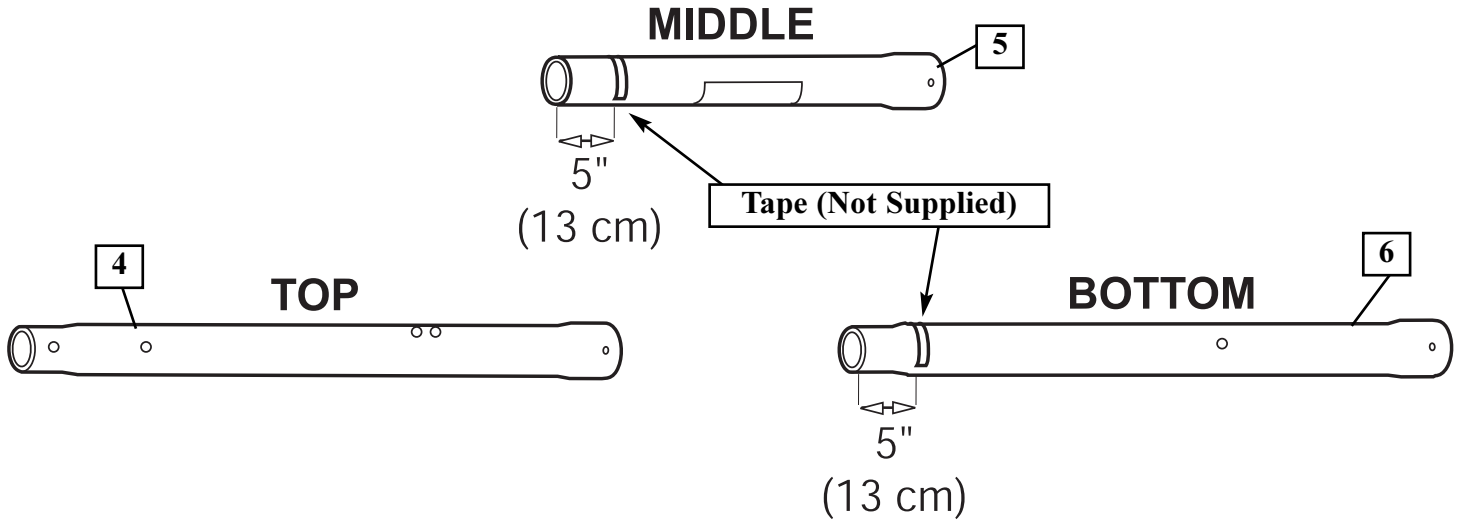


1B.

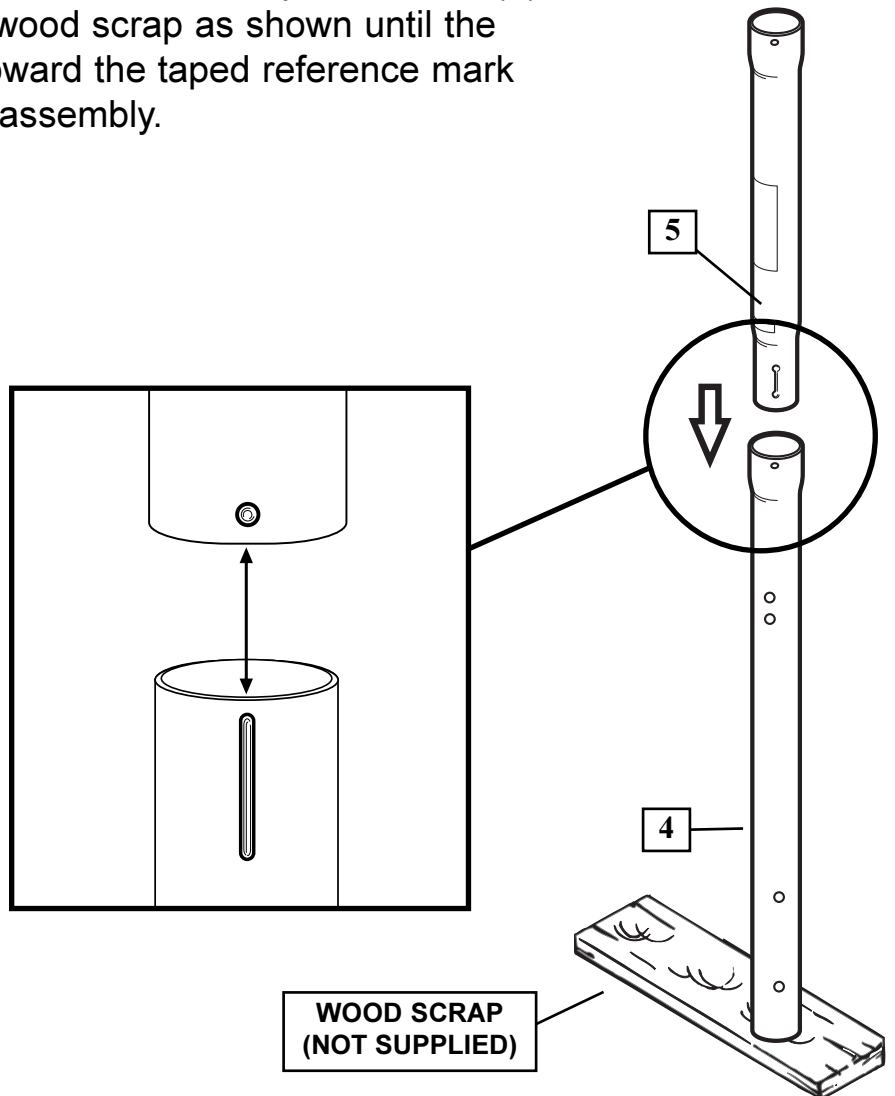
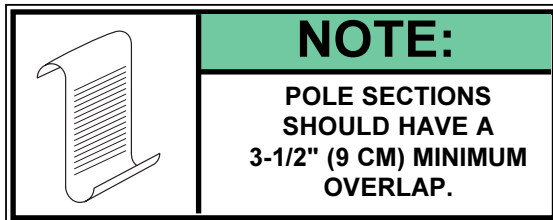
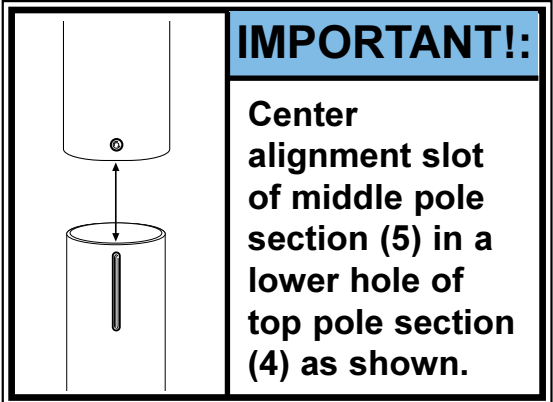
Check the following pre-assembled handle areas for tightness: **Screw P/N 2048032, Nut P/N 203100, Carriage Bolts P/N 203103 .**



2. Mark pole sections with tape (not supplied) as shown.



3. While maintaining alignment, bounce middle pole section (5) into top section (4) using a wood scrap as shown until the top pole no longer moves toward the taped reference mark on the middle pole. Upright assembly.

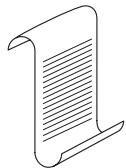


- 4.** Bounce top (4) and middle (5) pole assembly onto bottom pole section (6) using a wood scrap as shown. Bounce until the top and middle pole assembly no longer moves toward the taped reference mark on the bottom pole.



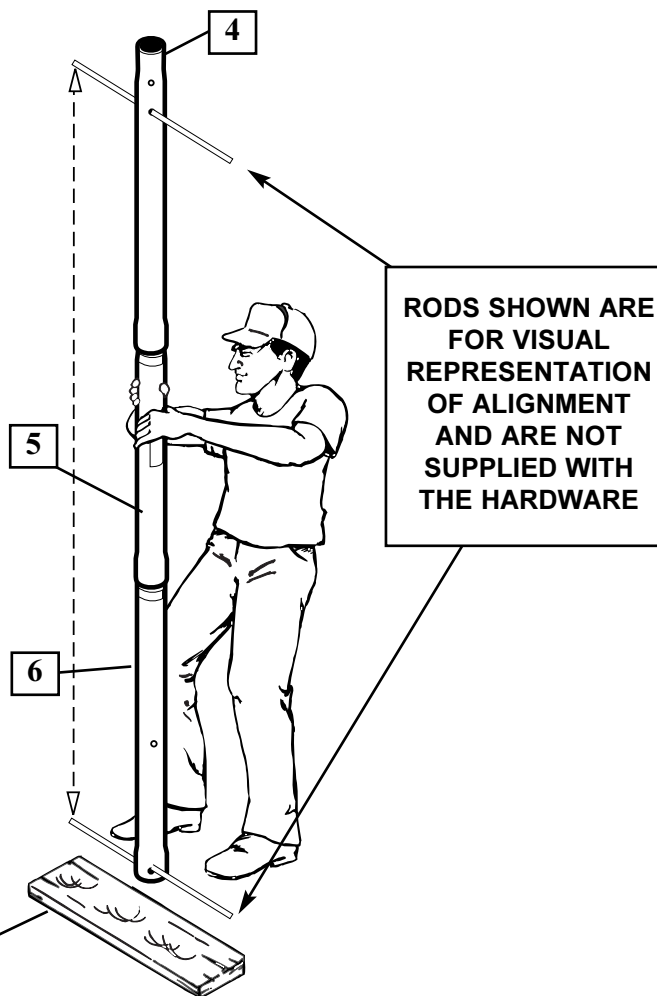
IMPORTANT!:

Holes in top (4) and bottom pole (6) sections **MUST** align to correctly position elevator system toward playing surface.



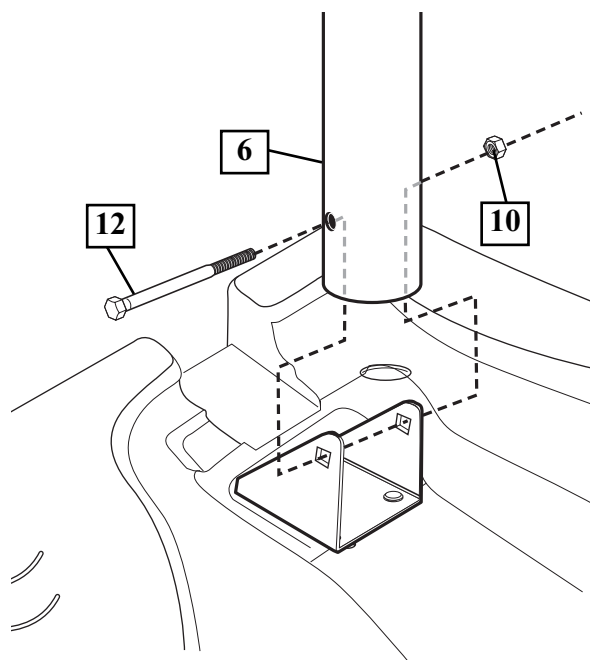
NOTE:

POLE SECTIONS SHOULD HAVE A 3-1/2" (9 CM) MINIMUM OVERLAP.

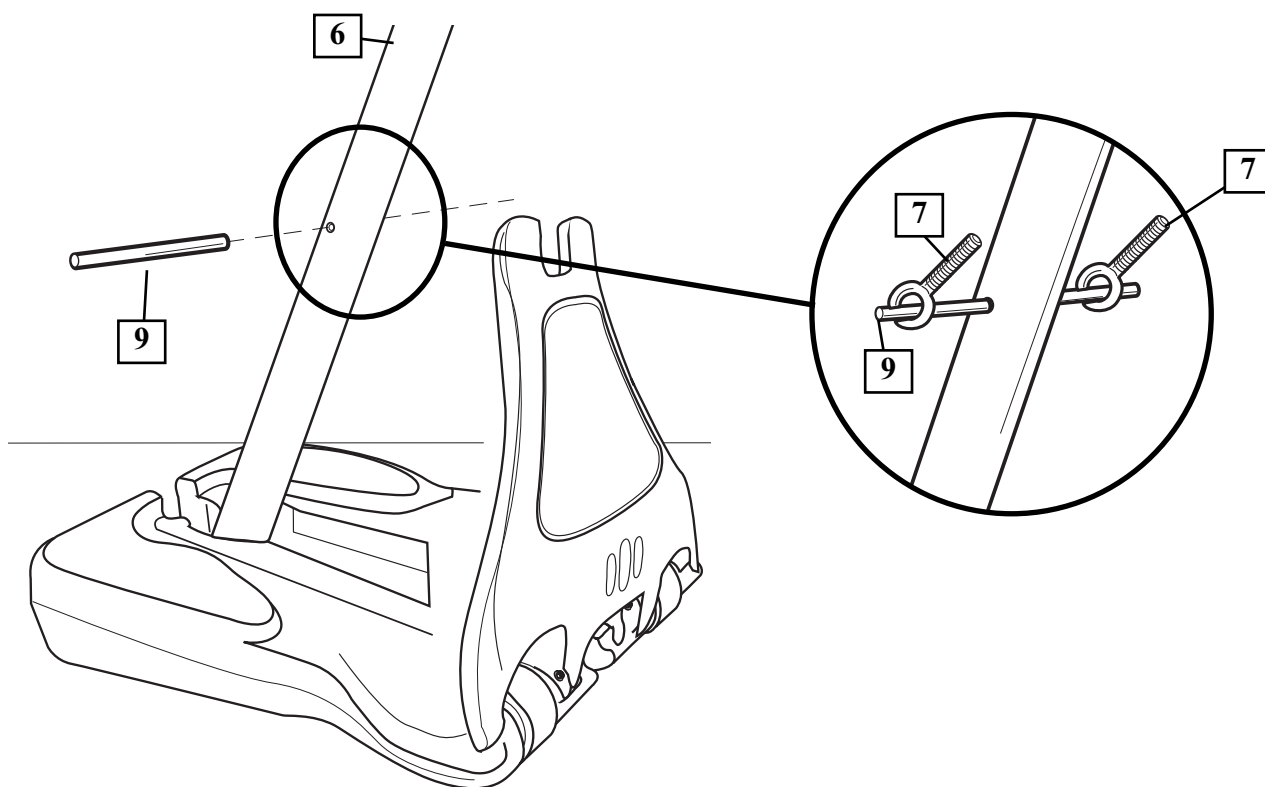


WOOD SCRAP (NOT SUPPLIED)

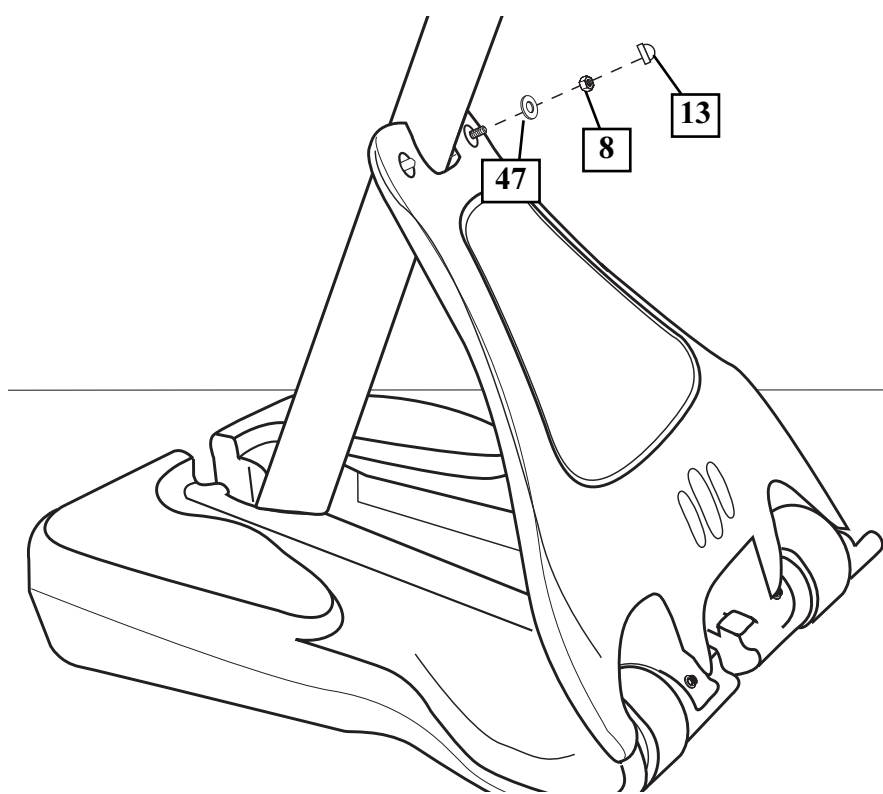
- 5.** Install bolt (12) through bracket and bottom pole section (6) and secure with nut (10) as shown. Nut should be tightened until flush (even) with locknuts outer edge.



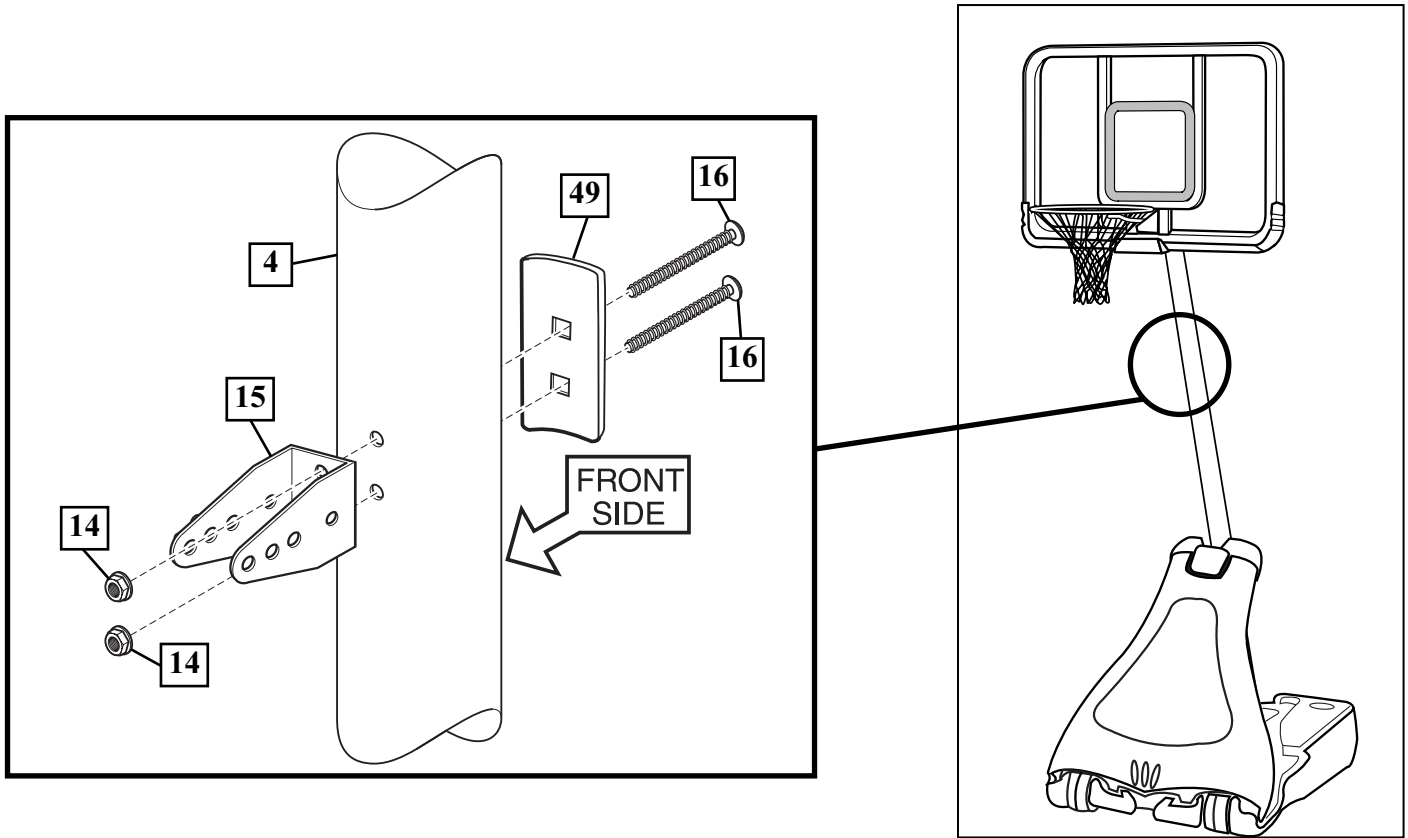
- 6.** Install rod (9) through bottom pole section (6) as shown. Install large eye bolts (7) onto rod (9) as shown.



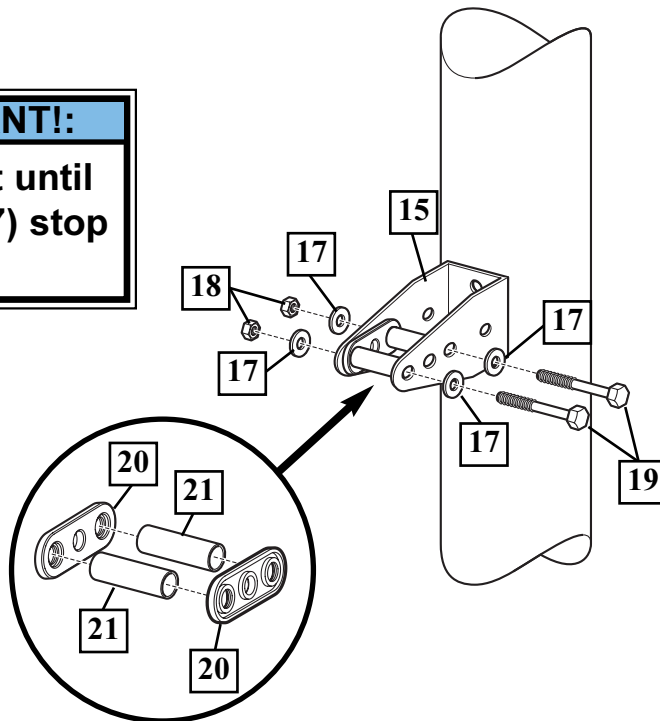
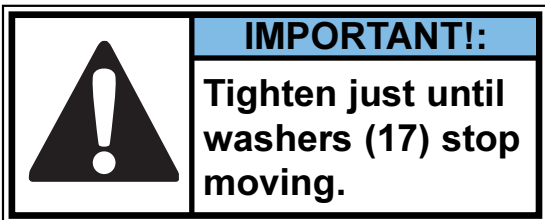
- 7.** Secure cover to rod (9) using washers (47) nuts (8) and nut covers (13) as shown.



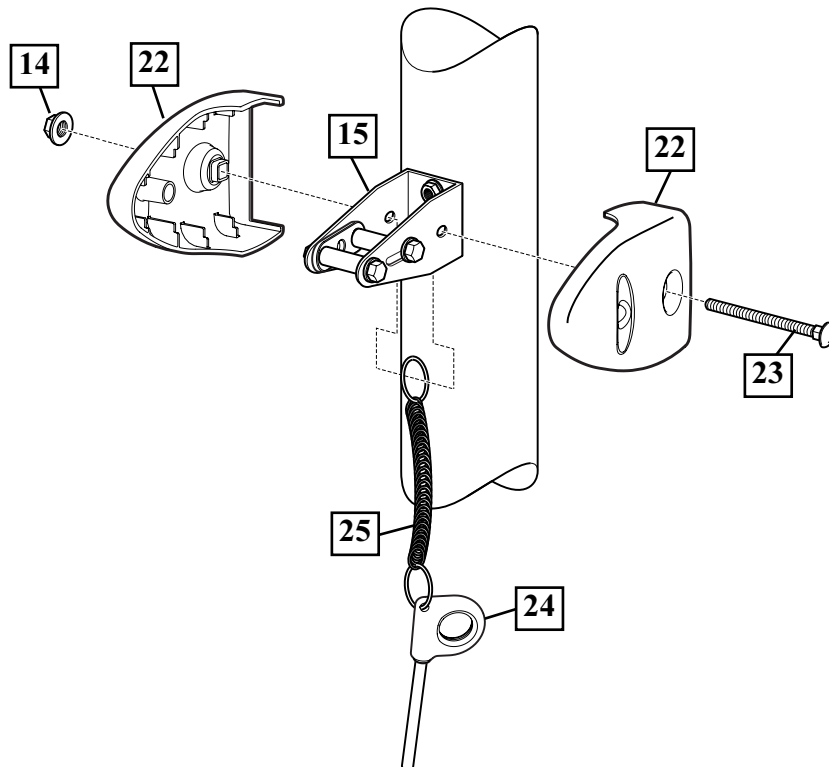
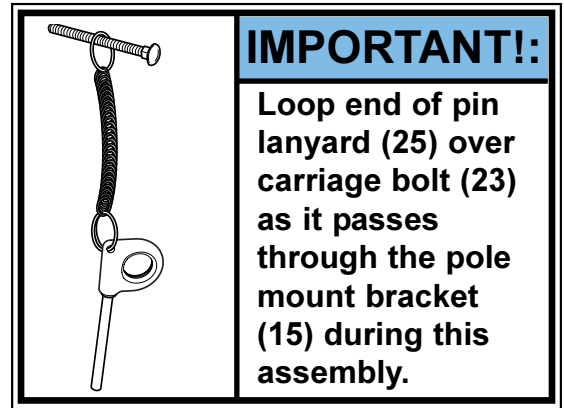
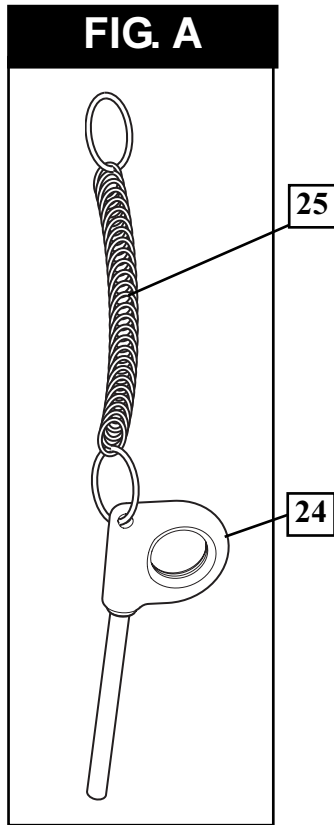
- 8.** Install pole mount bracket (15) and reinforcement bracket (49) with carriage bolts (16) as shown. Tighten flange nuts (14) completely.



- 9.** Attach spacers (20, 21) to pole mount bracket (15) with bolts (19), washers (17), and nuts (18) as shown.

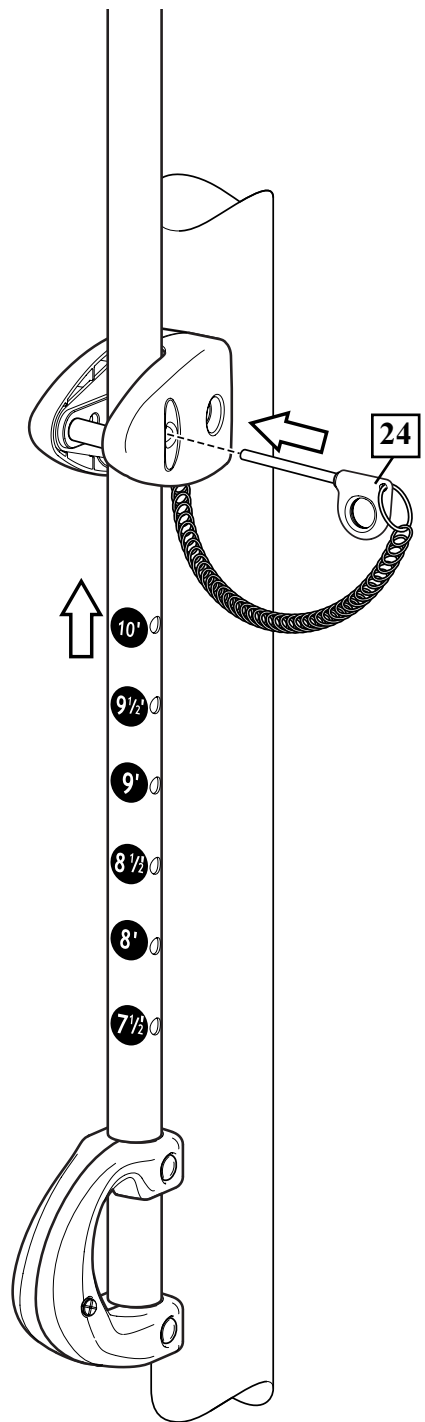


- 10.** Assemble lanyard (25) to locking pin (24) as shown (FIG A). Attach covers (22) onto pole mount bracket (15) with carriage bolt (23) and nut (14) as shown.



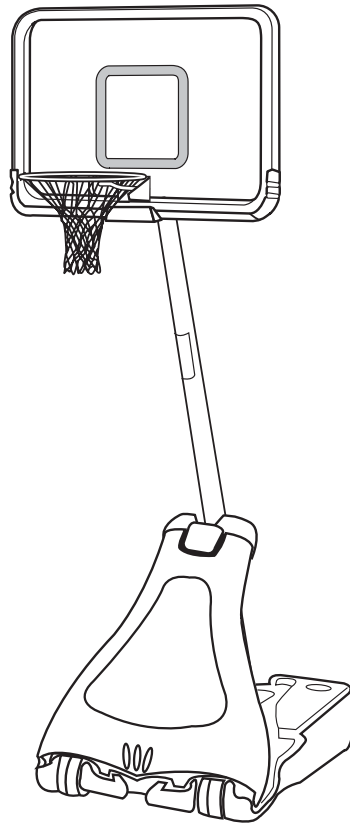
11.

Insert handle assembly through pole mount assembly as shown. Lock pole assembly in place at the 10' (3.05 m) mark with pin (24).



SECTION B: ATTACH THE BACKBOARD

This is what your system will look like when you've finished this section:

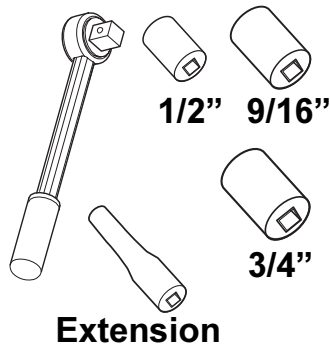


TOOLS REQUIRED FOR THIS SECTION

Wrenches
 (2) 1/2"
 (2) 9/16"
 (2) 3/4"

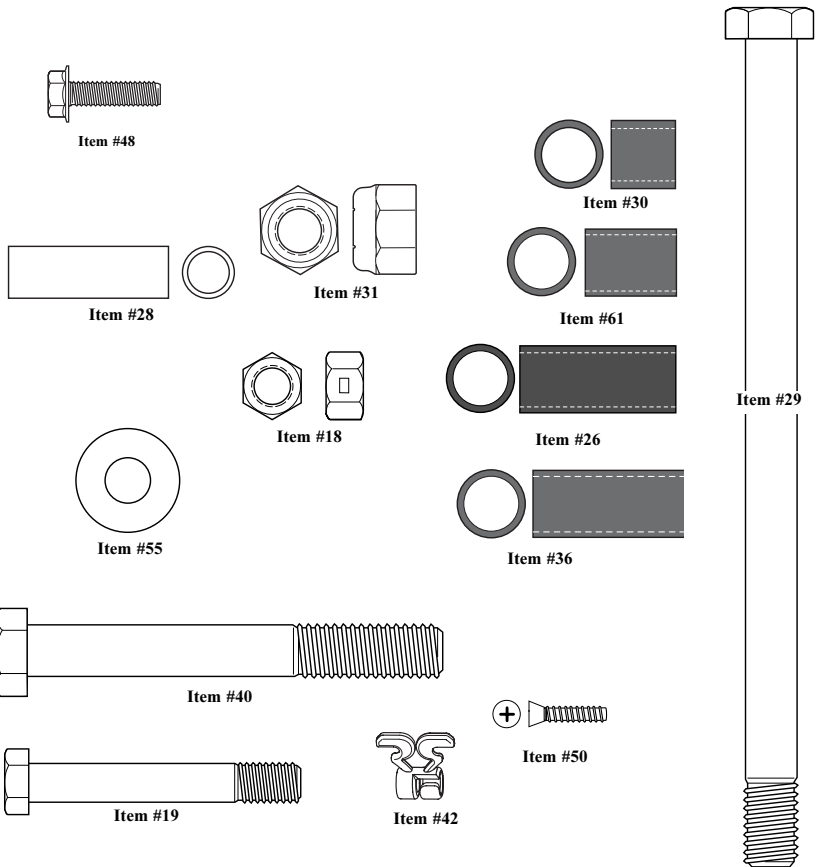
And/Or

(2) Socket Wrenches and Sockets

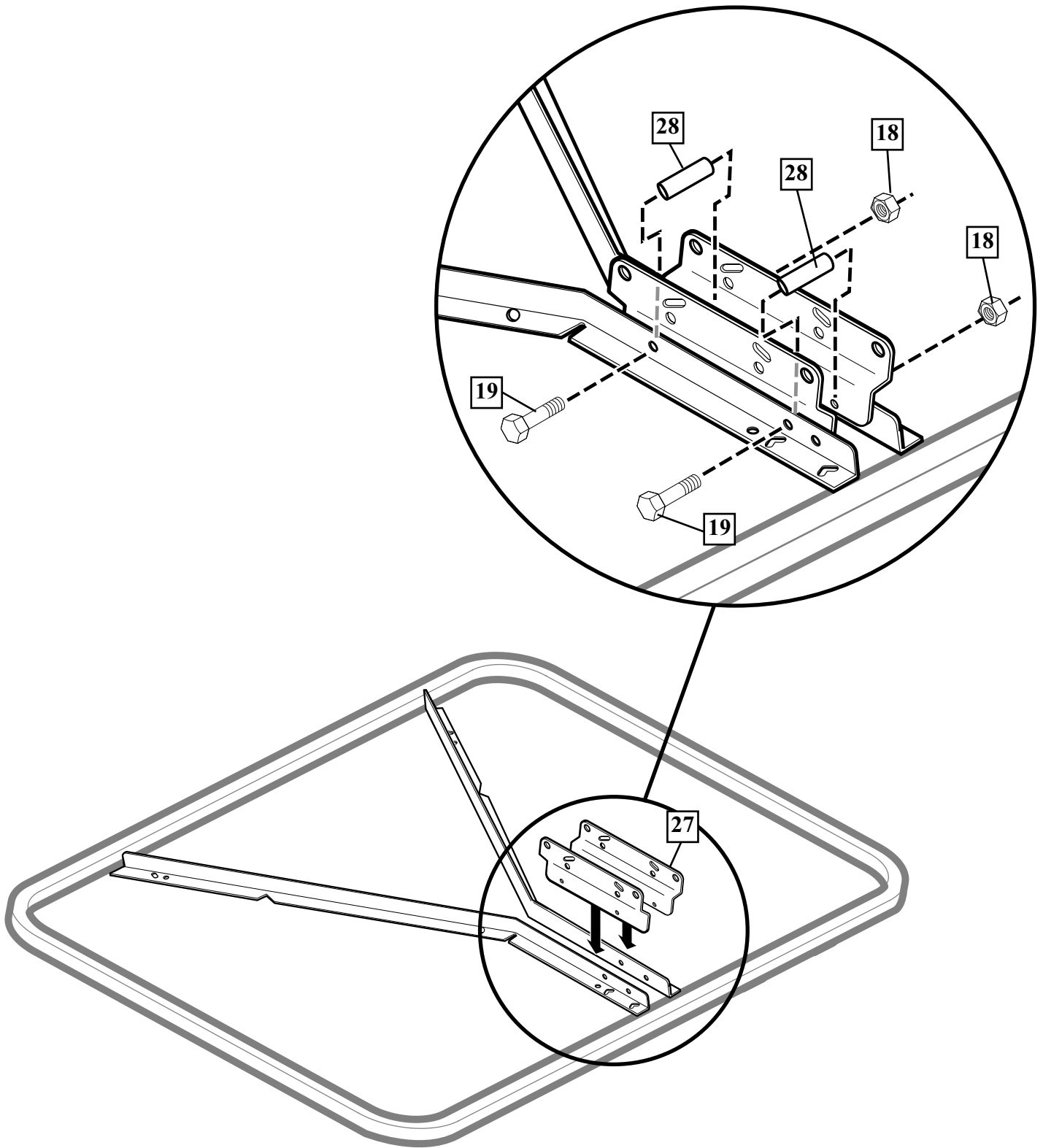


Phillips-Head Screwdriver

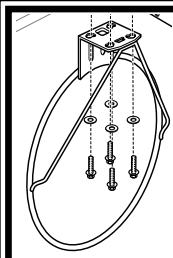
HARDWARE USED IN THIS SECTION (not actual size)



- 1.** Assemble backboard brackets (27) using spacers (28), bolts (19), and nuts (18) as shown.

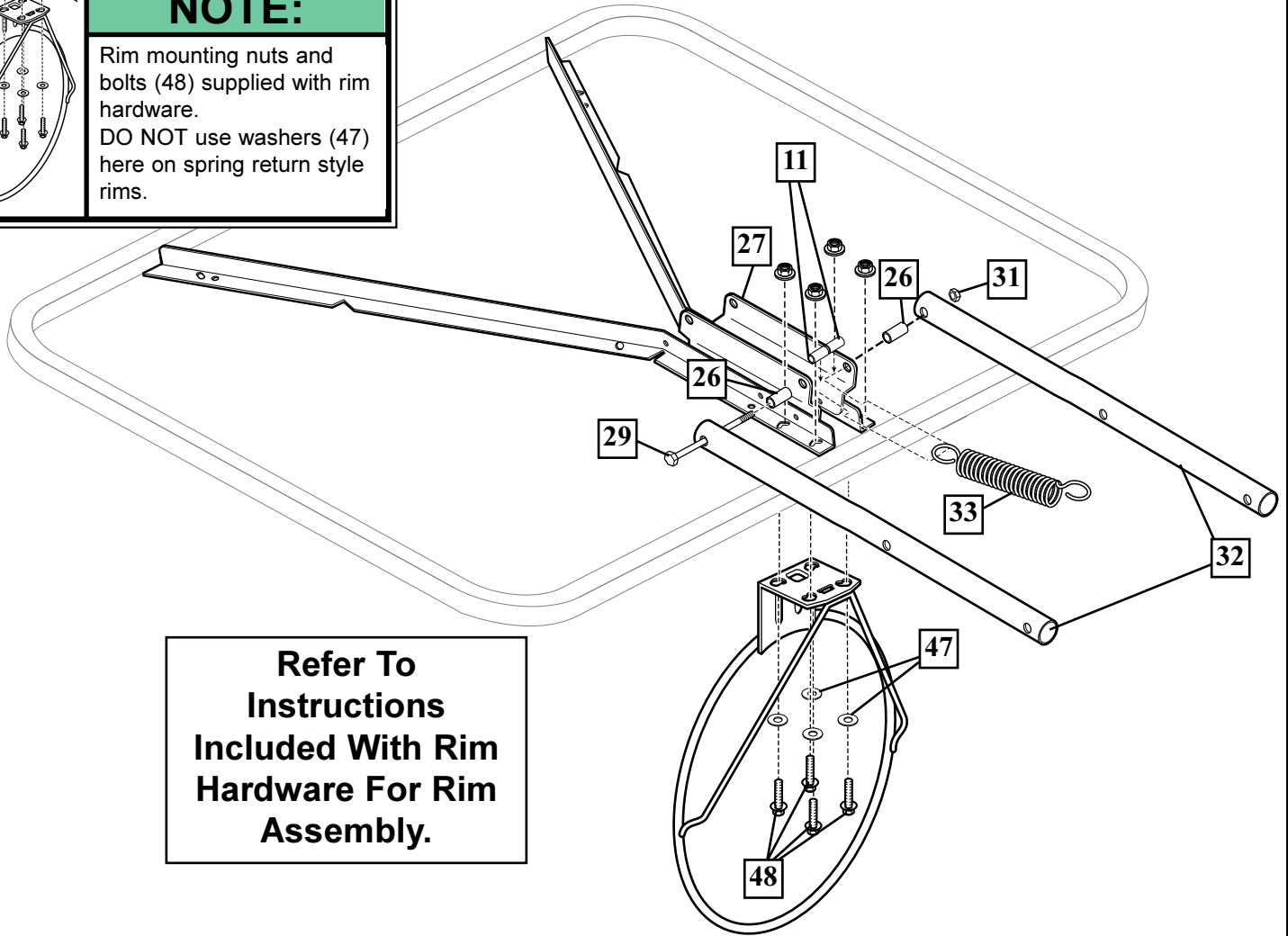


- 2.** Attach lower elevator tubes (32) and counter balance spring (33) to backboard support brackets (27) using spacers (26), bolt (29), and nut (31) as shown.



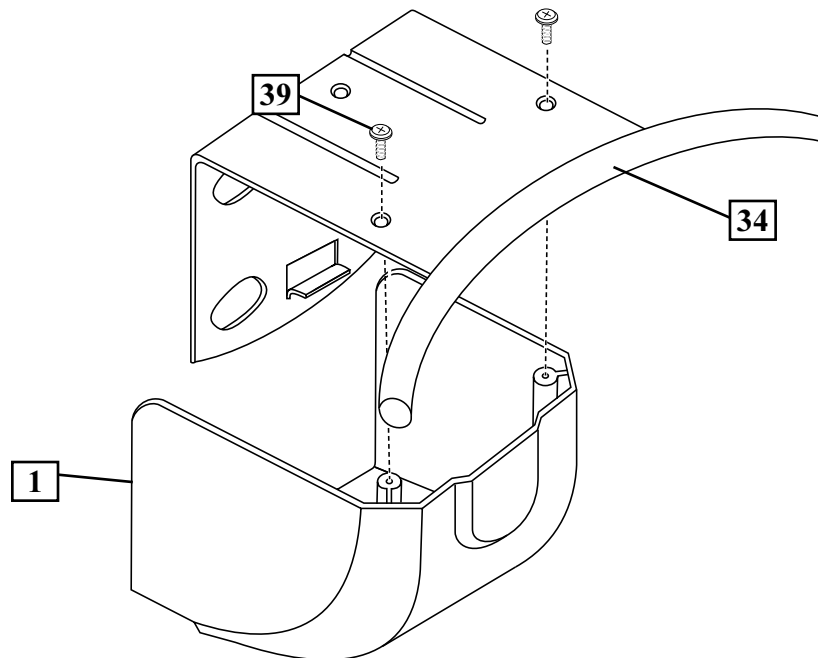
NOTE:

Rim mounting nuts and bolts (48) supplied with rim hardware.
DO NOT use washers (47) here on spring return style rims.

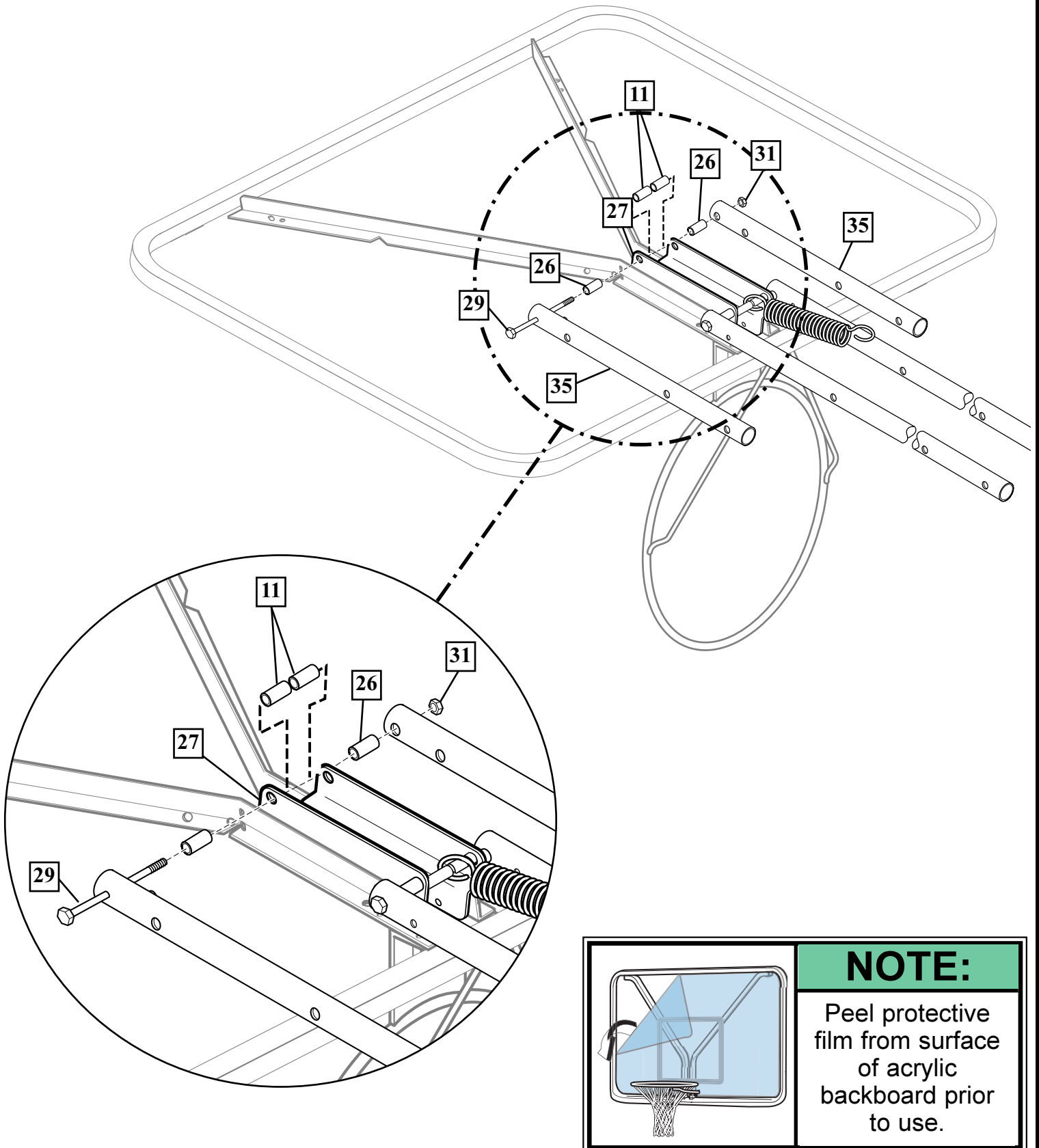


**Refer To
Instructions
Included With Rim
Hardware For Rim
Assembly.**

- 3.** Install cover (1) over spring return mechanism as shown.

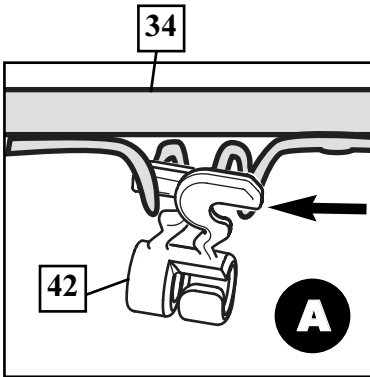
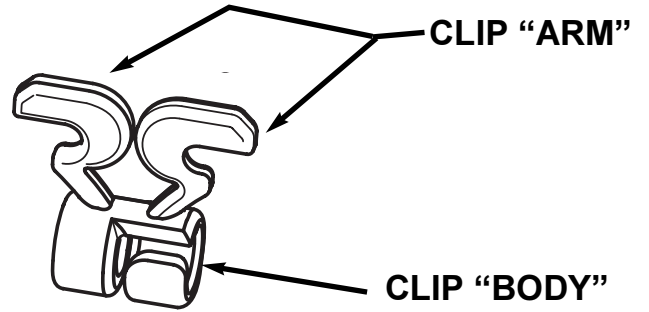


4. Attach upper elevator tubes (35) to backboard support brackets (27) using spacers (26 & 11), bolt (29), and nut (31) as shown.

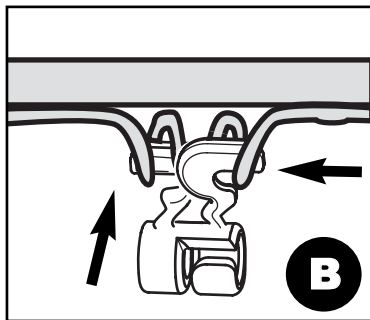


5. Install net clips.

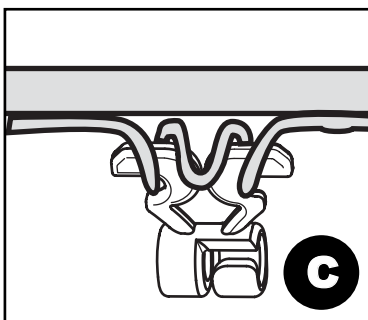
	! WARNING!
	USE OF THIS PRODUCT WITHOUT PROPER INSTALLATION OF SMART CLIPS®, OR WHEN ALL SMART CLIPS® ARE NOT PRESENT COULD RESULT IN BODILY HARM. BE SURE TO FOLLOW DIRECTIONS CAREFULLY.



Insert one "arm" of clip into ram as shown. Twist "body" of clip slightly so that second "arm" slides over the top of the first "arm" as shown.
Push in direction indicated by arrows.



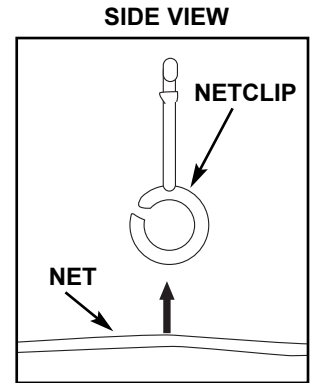
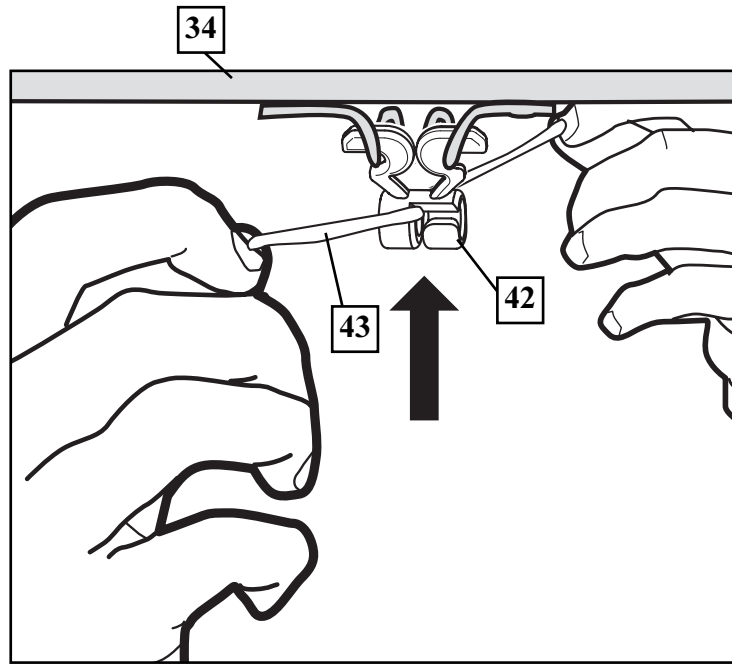
Push second "arm" back and into ram as shown.



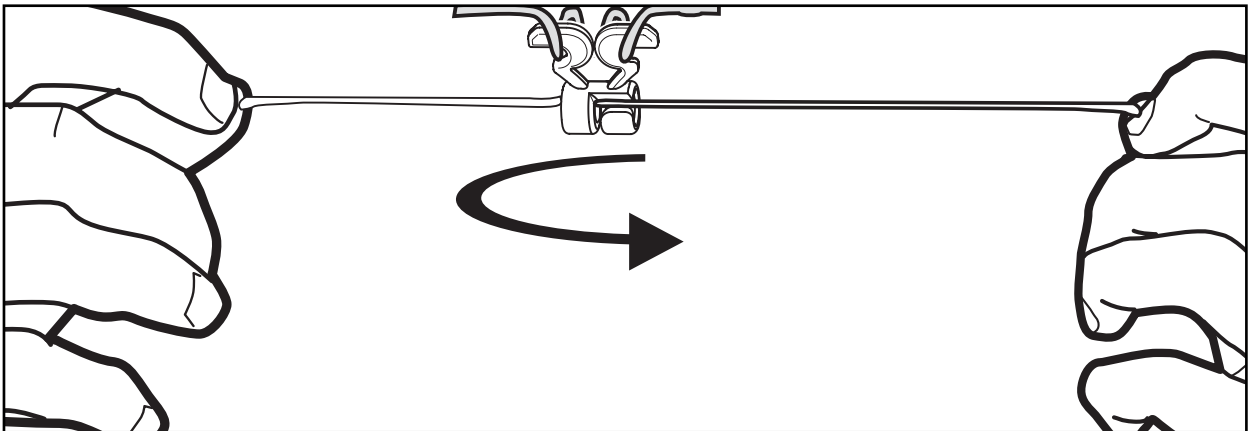
Twist "body" of clip slightly again to spread "arms" of clip. Clip "arms" must be flat and touching edge to edge as shown, not overlapping.

NET INSTALLATION

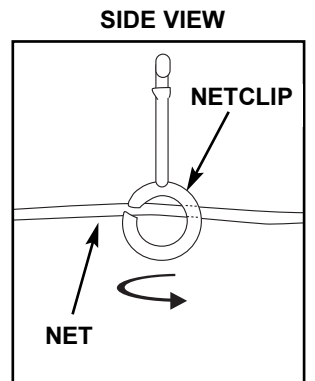
6.



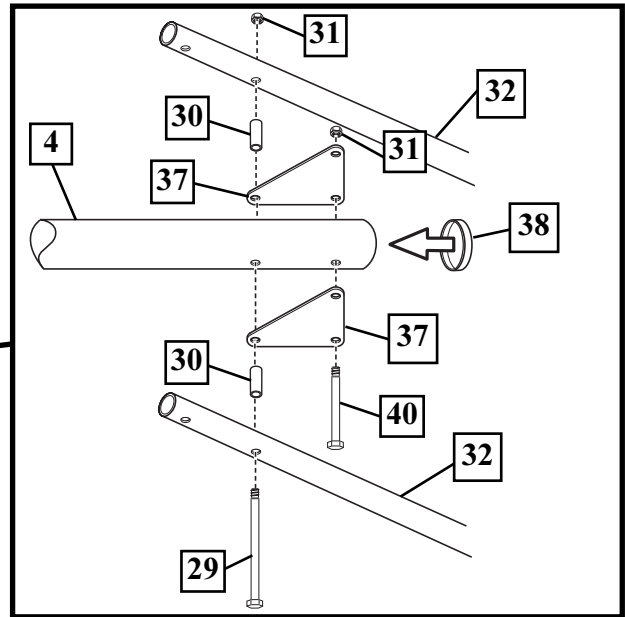
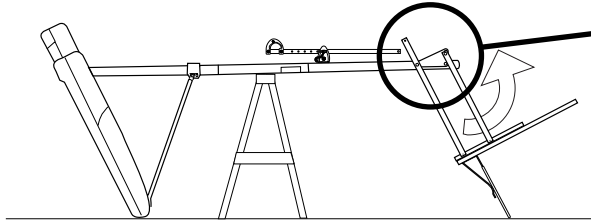
Insert net into bottom of clip as shown.



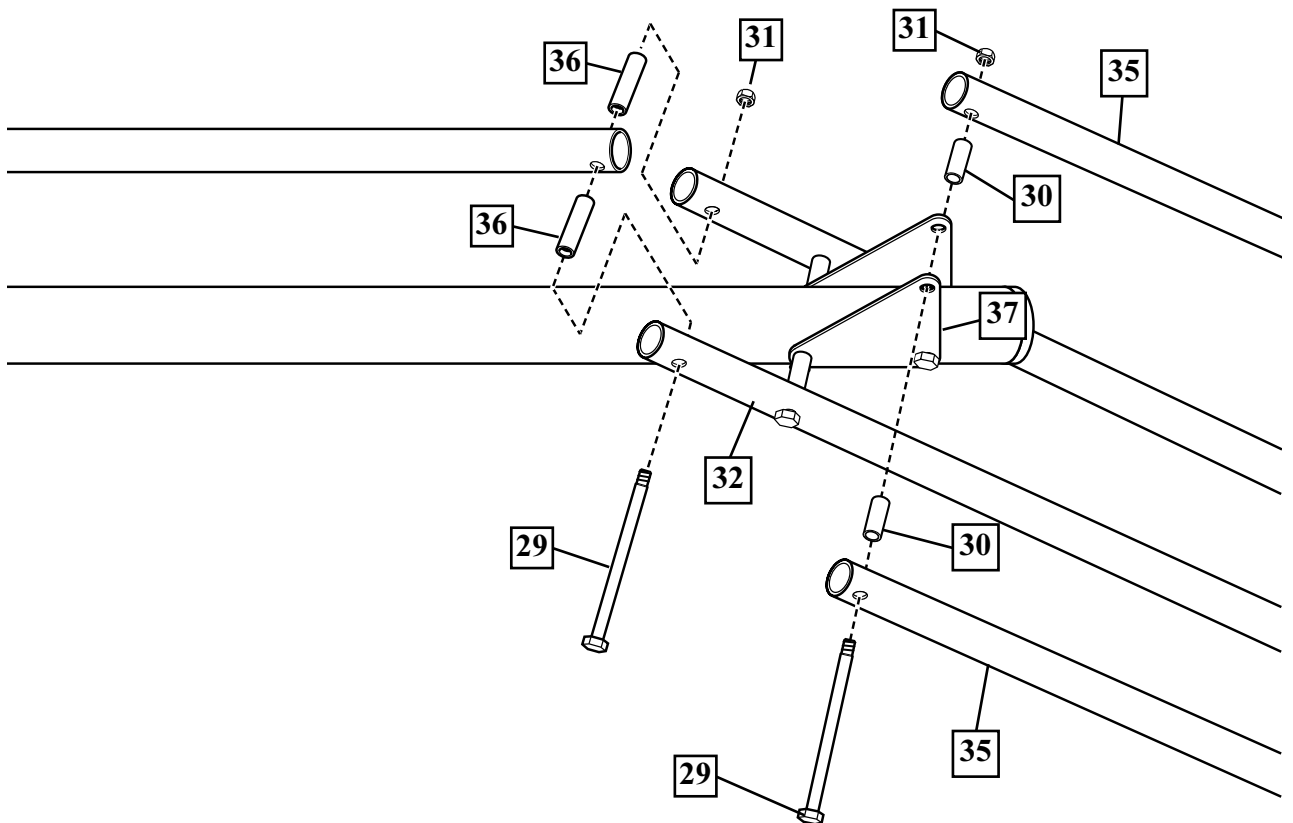
Twist net until it snaps into position.
Net must be centered through clip.



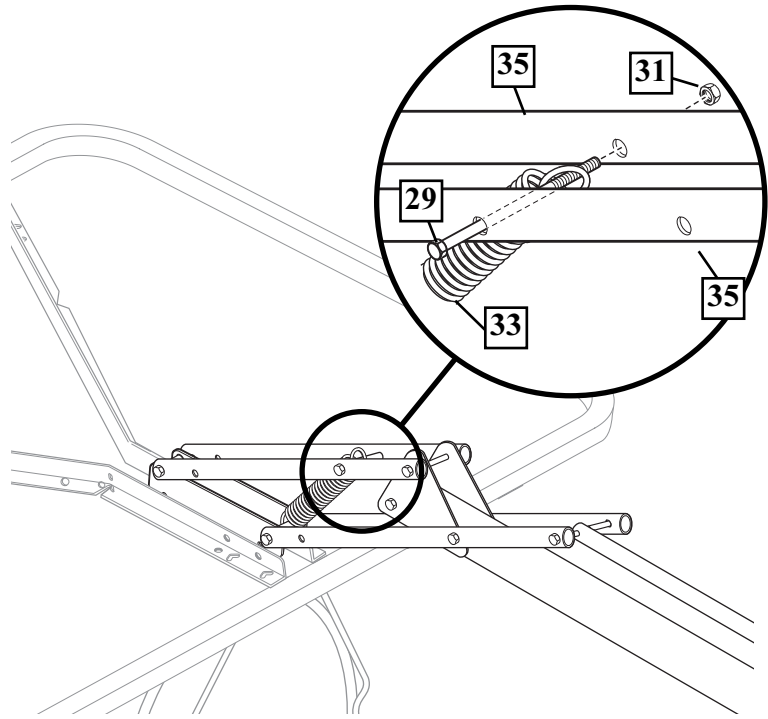
- 7.** Support pole on sawhorse. Attach backboard assembly to top pole section (4) as shown. Install pole cap (38). Use caution; elevator assembly is heavy.



- 8.** Install upper elevator tubes (35) to triangle plates (37) as shown. Install handle assembly to lower elevator tubes (32) using bolt (29), spacers (36), and nut (31) as shown. **NOTE:** Before going on to next step, set adjustable system assembly to the 10' (3.05 m) setting.




- 9.** Insert bolt (29) through left side upper elevator tube (35), then stretch spring (33) onto bolt (29). Insert bolt (29) through right side upper elevator tube (35) and secure with nut (31).

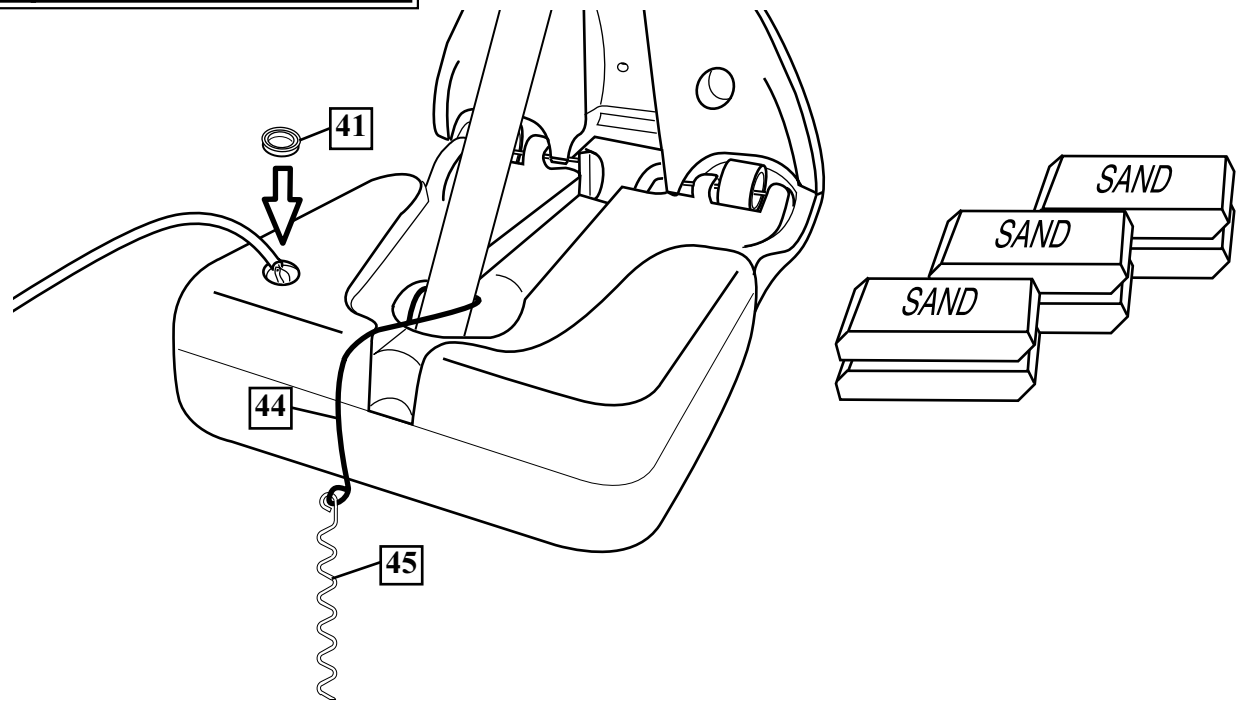


	! WARNING!
	USE EYE PROTECTION WHEN INSTALLING SPRINGS.

- 10.** Roll completed assembly to desired position. Fill tank with water (approx. 34 gallons (129 Liters)) or sand (approx. 280 lbs. (128 kg)) and snap cap (41) in place. Secure assembly to ground using rope (44) and tie down stake (45).

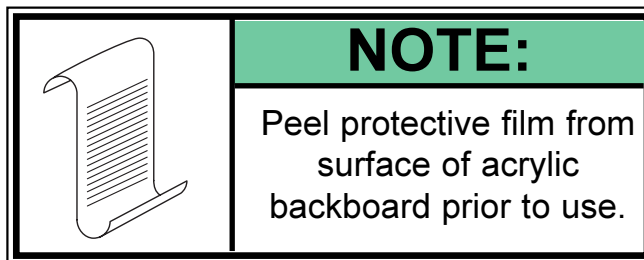
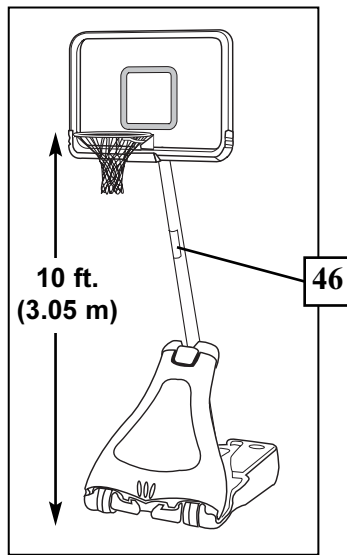
	! CAUTION!
	ADD TWO GALLONS (7.6 LITERS) OF NON-TOXIC ANTIFREEZE IN SUB- FREEZING CLIMATES.

	! WARNING!
	DO NOT LEAVE ASSEMBLY UNATTENDED WHEN EMPTY; IT MAY TIP OVER.



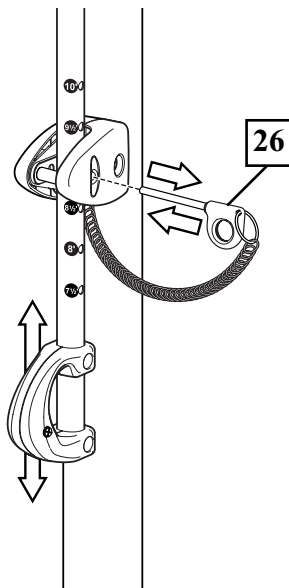
SECTION C: APPLY HEIGHT AND MOVING LABEL & HEIGHT ADJUSTMENT

1. Apply height adjustment and moving label (46) to front of pole as shown.



2. A. While holding handle, remove pin (26).
B. Move elevator up or down to desired height.
C. Replace pin (26) full length to lock system at desired height.

- A.
- B.
- C.



HUFFY SPORTS

Système portable Manuel d'utilisation

Service clientèle

o N53 W24700 South Corporate Circle o Sussex, WI 53089 o É.-U.

HUFFY SPORTS

Tragbares System Gebrauchsanleitung

Kundendienstzentrale

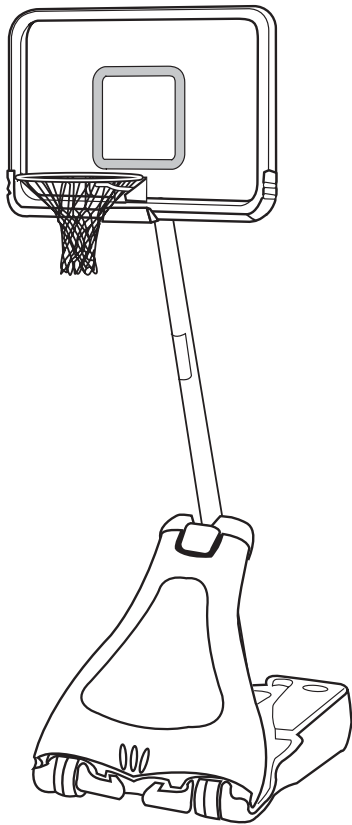
• N53 W24700 South Corporate Circle • Sussex, WI 53089 • U.S.A.

HUFFY SPORTS

Sistema portátil Manual del propietario

Centro de Servicio al Cliente

o N53 W24700 South Corporate Circle o Sussex, WI 53089 o EE.UU.



FRANÇAIS

DEUTSCH

ESPAÑOL



**AVERTISSEMENT !
WARNUNG!
¡ADVERTENCIA!**



LISEZ LE MODE D'EMPLOI
AVANT D'UTILISER CE SYSTÈME

SOUS PEINE D'ENCOURIR DES BLESSURES
OU DES DÉGÂTS MATÉRIELS.

DAS BENUTZERHANDBUCH VOR
GEBRAUCH DIESES PRODUKTS
SORGFÄLTIG DURCHLESEN.

EIN MISSACHTEN DIESER
BETRIEBSANLEITUNG KANN
VERLETZUNGEN ODER
SACHSCHÄDEN ZUR FOLGE
HABEN.

LEA Y ENTIENDA EL MANUAL DEL
OPERADOR ANTES DE USAR ESTA UNIDAD.

SI NO SE SIGUEN LAS
INSTRUCCIONES DE OPERACIÓN SE
PODRÍA OCASIONAR UNA LESIÓN O DAÑOS
A LA PROPIEDAD. OR DAMAGE TO
PROPERTY.

OUTILS ET MATÉRIEL REQUIS : :

- o Deux personnes
- o Mètre
- o Planche en bois (chute)
- o Clés : (deux de chaque) 7/16", 1/2", 9/16", 3/4" ou clés anglaises (une grande et une petite)
- o Lunettes de sécurité
- o Banc de sciage ou table de soutien
- o Échelle de 2.4 m
- o Tuyau d'arrosage ou sable (225 lb) (102 kg.)
- o Marteau
- o Ruban adhésif
- o Tournevis cruciforme

BENÖTIGTE WERKZEUGE UND MATERIALIEN:

- o Zwei Personen
- o Maßband
- o Holzstück
- o Schraubenschlüssel: (Je zwei) 7/16 Zoll, 1/2 Zoll, 9/16 Zoll, 3/4 Zoll oder große und kleine verstellbare Schraubenschlüssel
- o Schutzbrille
- o Sägebock oder Stütztisch
- o Stufenleiter 2,4 m (8 Fuß)
- o Gartenschlauch oder Sand (102 kg) (225 lbs.)
- o Hammer
- o Klebeband
- o Kreuzschlitzschraubenzieher
- o Nadelzange

HERRAMIENTAS Y MATERIALES REQUERIDOS:

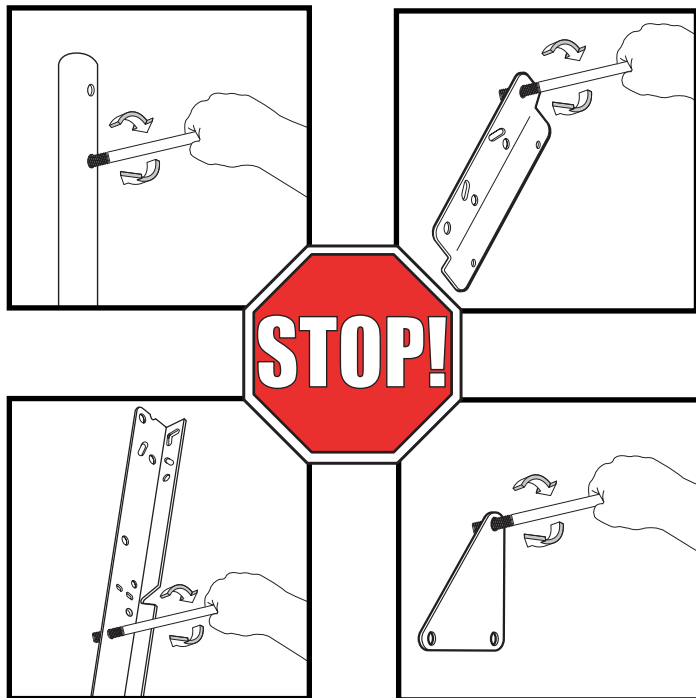
- o Dos personas
- o Cinta de medir
- o Tabla de madera (un trozo)
- o Llaves: (dos de cada una) 7/16", 1/2", 9/16", 3/4" o llaves ajustables grande y pequeña
- o Gafas de seguridad
- o Caballete o mesa de apoyo
- o Escalera de mano de 8 pies (2.4 m)
- o Manguera de jardín o 225 libras (102 kg) de arena
- o Martillo
- o Cinta adhesiva
- o Destornillador Phillips

Numéro sans frais du service clientèle (États-Unis) : 1-800-558-5234 ; Canada : 1-800-284-8339 ; Europe : 00 800 555 85234 (Suède : 009 555 85234), Pour l'Australie : 1-800-333 061 - Site Internet : <http://www.huffysports.com>

Gebührenfreie Kundendienstnummer für Anrufer in den USA: 1-800-558-5234 Für Anrufer in Kanada: 1-800-284-8339 Für Anrufer in Europa: 00 800 555 85234 (Schweden: 009 555 85234) Für Australien: 1-800-333.061 - Internet-Adresse: <http://www.huffysports.com>

Número telefónico gratuito de servicio al cliente en EE. UU.: 1-800-558-5234, para Canadá: 1-800-284-8339, para Europa: 00 800 555 85234 (Suecia: 009 555 85234), para Australia: 1-800-333 061 - Dirección en Internet: <http://www.huffysports.com>

AVANT DE COMMENCER! VORBEREITENDE MASSNAHMEN ¡ANTES DE COMENZAR!



Pour garantir l'utilisation optimale du panneau, les composants du système élévateur et la visserie doivent être bien ajustés (serrés). À titre d'essai, insérez les gros boulons dans les gros trous des tubes de système élévateur, des supports du panneau et des plaques triangulaires. Basculez-les avec précaution en imprimant un mouvement circulaire pour éliminer l'excédent de peinture, si nécessaire.

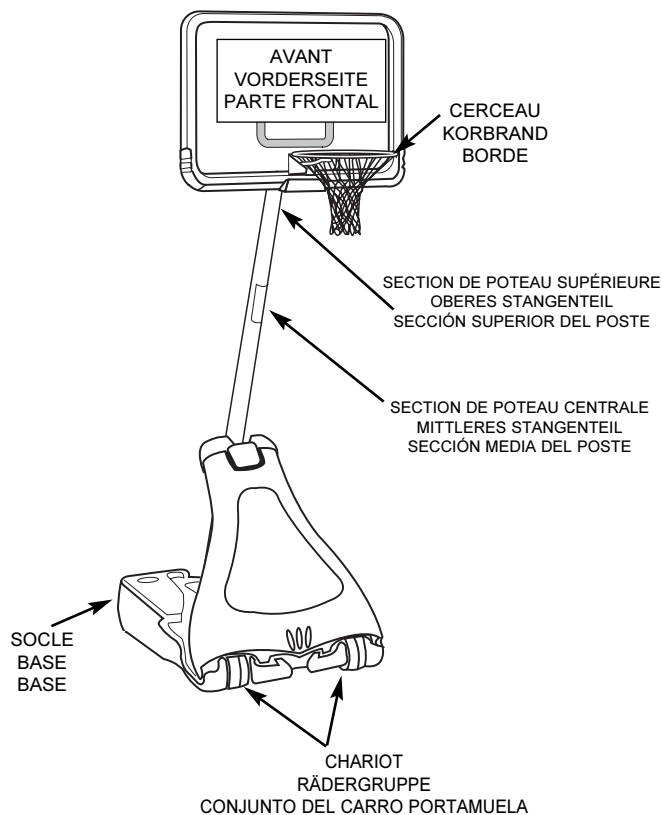
Um sicherzustellen, dass das Korbwandssystem optimal für den Spielbetrieb geeignet ist, müssen die Komponenten der Verlängerungsvorrichtung und die verschiedenen Befestigungsteile fest miteinander verschraubt werden. Große Schrauben zur Probe in die großen Löcher der Verlängerungsröhre, Korbwandklammern und Dreiecksplatte stecken und diese vorsichtig in einer Kreisbewegung hin- und herbewegen, um eventuelle Farbrückstände aus den Bohrungen zu entfernen.

Para asegurar el óptimo rendimiento del sistema del respaldo en el juego, se requiere un ajuste de tolerancia estrecha entre los componentes del elevador y el herraje. Pruebe el ajuste de los pernos grandes en los orificios grandes de los tubos elevadores, soportes del respaldo y placas triangulares. Cuidadosamente muévalos en círculos para eliminar cualquier exceso de pintura, si es necesario.

Apprenez à connaître les composants de base de votre système de basket-ball....

Machen Sie sich mit den wichtigsten Teilen Ihres Basketballsystems vertraut...

Conozca las piezas básicas de su sistema de baloncesto...



AVERTISSEMENT

SUIVEZ CES AVERTISSEMENTS SOUS PEINE DE PROVOQUER DES BLESSURES GRAVES ET/OU DES DEGATS MATERIELS.

- Le propriétaire du système doit s'assurer que tous les joueurs connaissent et suivent ces consignes d'utilisation sûre du système.*
- NE VOUS SUSPENDREZ PAS sur le cerceau ou sur toute autre partie du système, y compris le panneau, les supports ou le filet.
 - Durant le jeu, en particulier lorsque vous faites des smash, gardez le visage à l'écart du panneau, du cerceau et du filet. Des blessures graves sont possibles si les dents ou le visage venaient à entrer en contact avec le panneau, le cerceau ou le filet.
 - Ne glissez et ne montez pas sur le socle et/ou le poteau, ne les secouez pas et ne jouez pas dessus.
 - Une fois le montage terminé, remplissez complètement le système d'eau ou de sable et fixez-le au sol à l'aide du piquet. Ne laissez jamais le système à la verticale sans avoir lesté le socle, car il risquerait de se renverser et de causer des blessures.
 - Lorsque vous réglez la hauteur ou que vous déplacez le système, gardez les mains et les doigts à l'écart des pièces en mouvement.
 - Ne laissez pas des enfants déplacer ou régler le système.
 - Avant le jeu, retirez vos bijoux (bagues, montres, colliers, etc.). Ces objets risquent de se prendre dans le filet.
 - La surface sous le socle doit être lisse et sans gravier ou autres objets pointus. Les perforations causeront des fuites et risquent de faire basculer le système.
 - Maintenez les substances organiques à l'écart du socle du poteau. L'herbe, les déchets, etc. risquent de causer la corrosion et/ou la détérioration du système.
 - Vérifiez l'état du système (signes de corrosion comme rouille, piqûres, écaillage) et repeignez avec de la peinture émail pour extérieur. Si la rouille a pénétré en tout point de l'acier, remplacez immédiatement le poteau.
 - Vérifiez le système avant chaque utilisation (lest, visserie mal serrée, usure excessive et signes de corrosion) et réparez avant utilisation.
 - Vérifiez la stabilité du système avant chaque utilisation.
 - N'utilisez pas le système les jours de vent fort et/ou de tempête ; il risque de se renverser. Placez le système en position de stockage et/ou dans un endroit protégé du vent et à l'écart de biens personnels et/ou de fils suspendus.
 - Ne jouez jamais sur du matériel abîmé.
 - Pour les instructions d'installation et d'entretien, reportez-vous au guide fourni.
 - Lorsque vous déplacez le système, soyez prudent pour empêcher le mécanisme de se déséquilibrer.
 - Maintenez le poteau bouché à tout moment.
 - Ne laissez pas geler l'eau du socle. Lorsqu'il fait très froid, ajoutez de l'antigel ou du sable, ou videz complètement le socle et rangez-le. (N'utilisez pas de sel.)
 - Soyez extrêmement prudent si vous placez le système sur une déclivité. Le système risque de se renverser plus facilement.

HUFFYSPORTS

In the U.S.: 1-800-558-5234 and Canada: 1-800-284-8339 201241 2199

WARNUNG

BEI MISSACHTEN DIESER WARNUNG KANN ZU SCHWEREN VERLETZUNGEN UNDIODER SACHSCHÄDEN FÜHREN UND MACHT DIE GARANTIE UNWIRKSAM

Der Eigentümer muß sicherstellen, daß alle Spieler diese Regeln für einen sicheren Betrieb des Systems kennen und befolgen.

- NICHT am Korband oder irgendeinem anderen Teil des Systems, einsch. Korband, Stützstreben oder Netz HÄNGEN.
- Während des Spielbetriebs, besonders bei Slam-Dunk-Manövern, müssen die Spieler ihr Gesicht von Korband, Korbrand und Netz fernhalten. Der Kontakt von Zähnen/Gesicht mit der Korbwand, dem Korbrand oder dem Netz kann schwere Verletzungen zur Folge haben.
- Nicht auf dem Sockel und/oder der Stange herumrutschen, klettern, daran rütteln oder damit spielen.
- Nach dem Zusammenbau das System ganz mit Wasser oder Sand füllen und im Boden verankern. Das System niemals in aufrechter Position stehen lassen, ohne den Sockel zu beschweren, da es andernfalls umkippen und Verletzungen verursachen kann.
- Beim Einstellen der Höhe oder beim Transport des Systems Hände und Finger von beweglichen Teilen fernhalten.
- Kindern sollte das Verschieben oder Einstellen des Systems nicht gestattet werden.
- Beim Spielen keinen Schmuck (Ringe, Armbänder, Halsketten usw.) tragen. Gegenstände dieser Art können sich im Netz verfangen.
- Die Oberfläche unter dem Sockel muß glatt und frei von Kies oder anderen scharfkantigen Gegenständen sein. Löcher können zu Lecks und somit zu einem Umkippen des Systems führen.
- Organische Materialien vom Stangensockel fernhalten. Gras, Abfälle, usw. können Korrosion und/oder Abbauerscheinungen verursachen.
- Das Stangensystem auf Anzeichen von Korrosion (Rost, Narbenbildung, Abblättern) untersuchen und mit Emailaußenfarbe neu lackieren. Wenn sich Rost an irgendeiner Stelle durch den Stahl durchgefressen hat, ist die Stange sofort auszutauschen.
- Das System vor jeder Benutzung auf den richtigen Ballast, lose Befestigungsteile, übermäßige Abnutzungserscheinungen und Anzeichen von Korrosion untersuchen; vor jedem Einsatz entsprechende Korrekturmaßnahmen bzw. Reparaturen durchführen.
- Die Stabilität des System vor jedem Gebrauch überprüfen.
- Das System nicht bei windigen und/oder unwirtlichen Witterungsverhältnissen benutzen, da es unter diesen Umständen umkippen kann. Das System in die Lagerposition versetzen und/oder in einen windgeschützten Bereich bringen, an dem es keine Sachschäden verursachen kann bzw. wo keine Oberleitungen vorhanden sind.
- Niemals an bzw. mit einer beschädigten Ausrüstung spielen.
- Die ordnungsgemäße Installation und Wartung ist dem Gebrauchshandbuch zu entnehmen.
- Beim Transport des Systems darauf achten, daß sich der Mechanismus nicht verschiebt.
- Das obere Stangenende muß jederzeit mit einer Kappe abgedeckt sein.
- Das Wasser im Tank darf keinesfalls gefrieren. Bei Temperaturen unter dem Nullpunkt ungiftiges Gefrierschutzmittel oder Sand hinzufügen oder den Tank völlig entleeren und lagern. (Kein Salz verwenden.)
- Beim Aufstellen des Systems auf einer geneigten Fläche mit großer Vorsicht vorgehen. Das System kann unter diesen Umständen leichter umkippen.

HUFFYSPORTS

In the U.S.: 1-800-558-5234 and Canada: 1-800-284-8339 201241 2199

ADVERTENCIA

SI NO SE OBSERVAN ESTAS ADVERTENCIAS SE PUEDEN OCASIONAR LESIONES GRAVES Y/O DAÑOS MATERIALES

El propietario debe asegurarse de que todos los jugadores conozcan y sigan estas reglas para la operación segura del sistema.

- NO SE CUELLE del borde ni de ninguna parte del sistema, inclusive el respaldo, abrazaderas de soporte o red.
- Durante el juego, especialmente cuando se realizan actividades de disparo de pelota, el jugador debe mantener la cara alejada del respaldo, borde y red. Si los dientes o la cara entran en contacto con el respaldo, el borde o la red se podría ocasionar una lesión grave.
- No se deslice, suba, mueva ni juegue sobre la base y/o en el poste.
- Después de terminar el montaje, llene completamente el sistema con agua o arena y fíjelo al piso. Nunca deje el sistema en una posición vertical con la base vacía, ya que se podría ladear y causar lesiones.
- Cuando ajuste la altura o mueva el sistema, mantenga las manos y los dedos alejados de las partes móviles.
- No permita que los niños muevan o ajusten el sistema.
- Durante el juego no use bisutería (anillos, relojes, collares, etc.)
- Los objetos pueden enredarse en la red.
- La superficie debajo de la base debe estar lisa y no tener grava ni otros objetos filosos. Las perforaciones ocasionan fugas y éstas podrían ocasionar que el sistema se ladee.
- Mantenga el material orgánico alejado de la base del poste. El césped, desperdicios, etc. podrían causar corrosión y/o deterioro.
- Verifique que el sistema del poste no esté corroído (oxidación, corrosión, astillamiento) y si es así vuélvalo a pintar con pintura de esmalte para exteriores. Si la oxidación penetró en el acero en algún punto, reemplace inmediatamente el poste.
- Antes de usar el sistema verifique que tenga el balasto adecuado, que la tornillería no esté floja y que no esté excesivamente desgastado ni tenga signos de corrosión. Si presenta alguna de estas condiciones repárelo antes de usarlo.
- Revise la estabilidad del sistema antes de usarlo.
- No use el sistema durante condiciones de mucho viento y/o condiciones climáticas severas, el sistema se puede ladear. Coloque el sistema en posición de almacenamiento y/o en un área protegida del viento y alejado de la propiedad personal o cables suspendidos.
- Nunca juegue en equipo dañado.
- Consulte el manual de instrucciones para ver la instalación y mantenimiento adecuados.
- Cuando mueva el sistema tenga cuidado de que el mecanismo no se desplace.
- Siempre mantenga tapada la sección superior del poste. No permita que el agua del tanque se congele. En condiciones climáticas bajo cero añada un anticongelante no tóxico, arena, o vacíe completamente el tanque y almacene el sistema. (No use sal.)
- Tenga mucho cuidado si coloca el sistema en una superficie con pendiente. El sistema se puede ladear más fácilmente.

HUFFYSPORTS

In the U.S.: 1-800-558-5234 and Canada: 1-800-284-8339 201241 2199

⚠️ CONSIGNES DE SÉCURITÉ ! ⚠️

SUIVEZ CES CONSIGNES DE SÉCURITÉ SOUS PEINE DE PROVOQUER DES BLESSURES GRAVES, DES DÉGÂTS MATÉRIELS ET L'ANNULATION DE LA GARANTIE.

Le propriétaire doit s'assurer que tous les joueurs connaissent et suivent ces règles d'utilisation sûre du système.

Par mesure de sécurité, n'essayez pas de monter ce système sans suivre scrupuleusement les instructions. Un montage, une utilisation et une supervision corrects et complets sont indispensables à un bon fonctionnement et à la réduction des risques d'accident ou de blessure. Des blessures graves sont très probables si le système n'est pas installé, entretenu et utilisé correctement.

- o Si vous utilisez une échelle en cours de montage, soyez extrêmement prudent.
- o Vérifiez régulièrement le socle pour vous assurer qu'il ne fuit pas. Les petites fuites risquent d'entraîner le basculement intempestif du système.
- o Emboîtez correctement les sections de poteau (le cas échéant). Elles risquent sinon de se déboîter en cours de jeu et/ou de transport du système.
- o Les conditions climatiques, la corrosion ou une mauvaise utilisation risquent de provoquer la panne du système.
- o Pour toute assistance technique, contactez Huffy Sports.
- o La hauteur minimale d'utilisation est de 1,98 (6' 6") m jusqu'à la base du panneau.

La plupart des blessures sont causées par une mauvaise utilisation et/ou le non-respect des instructions. Soyez prudent lorsque vous utilisez ce système.

⚠️ SICHERHEITSHINWEISE ⚠️

EIN MISSACHTEN DIESER SICHERHEITSHINWEISE KANN ZU SCHWEREN VERLETZUNGEN UND/ODER SACHSCHÄDEN FÜHREN UND MACHT DIE GARANTIE UNWIRKSAM..

Der Eigentümer muss sicherstellen, dass alle Spieler diese Regeln für einen sicheren Betrieb des Systems kennen und befolgen.

Aus Sicherheitsgründen darf dieses System nur unter sorgfältiger Beachtung der Anleitung zusammengebaut werden. Eine ordnungsgemäße und vollständige Montage, Verwendung und Aufsicht ist für den richtigen Betrieb und zur Reduzierung des Unfall- oder Verletzungsrisikos absolut erforderlich. Bei einer unsachgemäßen Installation und Wartung und bei einem falschen Betrieb dieses Systems besteht ein hohes Risiko schwerer Verletzungen.

- o Beim Gebrauch einer Leiter während des Zusammenbaus extrem vorsichtig vorgehen.
- o Den Sockel regelmäßig auf Leckstellen untersuchen. Langsam austretende Füllmittel können ein unerwartetes Umkippen des Systems verursachen.
- o Die einzelnen Stangenteile richtig zusammenfügen (falls anwendbar). Andernfalls können sich die Stangenteile beim Spielbetrieb und/oder während des Transports des Systems voneinander lösen.
- o Klimatische Bedingungen, Korrosion oder Fehlgebrauch kann zu Systemdefekten führen.
- o Technische Unterstützung kann direkt von Huffy Sports angefordert werden.
- o Die Mindestspielhöhe beträgt 1,98m (6,6 Fuß) bis zur Unterkante der Korbwand.

Die meisten Verletzungen werden durch einen Fehlgebrauch bzw. ein Missachten der Anleitungen verursacht. Bei der Verwendung dieses Geräts vorsichtig vorgehen.

⚠️ ¡INSTRUCCIONES DE SEGURIDAD! ⚠️

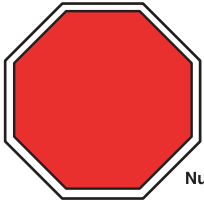
EL INCUMPLIMIENTO DE ESTAS INSTRUCCIONES DE SEGURIDAD PUEDE DAR COMO RESULTADO LESIONES GRAVES, DAÑOS MATERIALES Y ANULARÁ LA GARANTÍA..

El propietario debe asegurarse de que todos los jugadores conozcan y obedezcan estas reglas para la operación segura del sistema.

Por su seguridad, no intente montar este sistema sin seguir cuidadosamente las instrucciones. Es esencial el montaje completo, y el uso y la supervisión adecuados para la operación correcta del sistema y para reducir el riesgo de accidentes o lesiones. Existe una alta probabilidad de sufrir lesiones graves si este sistema no se instala, mantiene y opera adecuadamente.

- o Si utiliza una escalera de mano durante el montaje, tenga mucho cuidado.
- o Revise regularmente la base para detectar fugas. Las fugas lentas podrían causar que el sistema se cayera inesperadamente
- o Asiente correctamente las secciones del poste (si aplica). Si no lo hace, las secciones del poste podrían separarse durante el juego y/o durante el transporte del sistema.
- o El clima, la corrosión y el mal uso podrían ocasionar la falla del sistema.
- o Si requiere asistencia técnica, comuníquese con Huffy Sports.
- o La altura mínima de operación es de 1.98m (6' 6") hasta la parte inferior del respaldo.

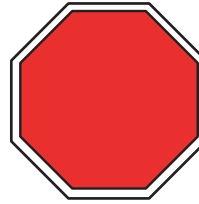
La mayoría de las lesiones son causadas por el uso inadecuado y/o por el incumplimiento de las instrucciones. Tenga cuidado cuando use esta unidad.



IMPORTANT!

En cas de questions...
pas besoin de retourner au magasin!

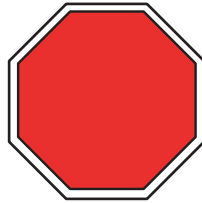
Etats-Unis et Canada uniquement: 1-800-284-8339
Numéro vert international (France, Suisse) : 00 800 555 85234



WICHTIG!

Huffy steht zur Qualität seiner Produkte!

(Deutschland, Schweiz): 00 800 555 85234



¡IMPORTANTE!

!Usted es importante para Huffy!

00 800 555 85234

AVIS AUX PERSONNES CHARGÉES DU MONTAGE

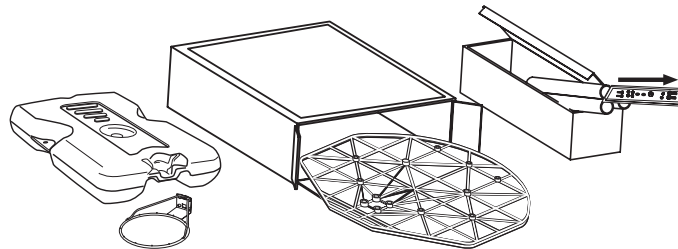
TOUS les systèmes de basket-ball Huffy Sports, y compris ceux utilisés en EXPOSITION, **DOIVENT** être assemblés et lestés de sable ou d'eau, selon les instructions. Suivez ces instructions sous peine d'encourir des **BLESSURES GRAVES**. Il est **INACCEPTABLE** de composer un système de lestage de fortune.

HINWEIS FÜR DIE PERSONEN, DIE DEN ZUSAMMENBAU DURCHFÜHREN

ALLE Basketballsysteme von Huffy Sports, einschließlich der zu Demonstrationszwecken benutzten Systeme, müssen gemäß der Montageanleitung zusammengebaut und mit Sand oder Wasser beschwert werden. Ein Missachten dieser Anleitung kann **SCHWERE VERLETZUNGEN** zur Folge haben. Zum Beschweren darf **NICHT** zu irgendwelchen Notbehelfsmaßnahmen gegriffen werden.

AVISO PARA LAS PERSONAS QUE REALIZAN EL MONTAJE

TODOS los sistemas de baloncesto de Huffy Sports, inclusive los usados para EXHIBICIÓN, **DEBEN** estar montados y equilibrados con arena o agua, de acuerdo con las instrucciones. Si se ignoran estas instrucciones se podría ocasionar una **LESIÓN GRAVE**. **NO** es aceptable improvisar un sistema de pesas provisional.



IMPORTANT!

Videz entièrement les boîtes.

Veillez à vérifier l'intérieur des sections de poteau.

La quincaillerie et des pièces supplémentaires sont emballées à l'intérieur.

¡IMPORTANTE!

Saque todo el contenido de las cajas.

Asegúrese de revisar el interior de las secciones del poste.

Aquí se han empacado herraje y piezas adicionales.

WICHTIG!

Die Kartons vollständig auspacken.

Den Hohlraum in den Stangenteilen inspizieren.

Dort sind Befestigungs- und andere Kleinteile verpackt.

LISTE DES PIÈCES / TEILELISTE / LISTA DE PIEZAS

Item	Qty.	Part No.	Description	FRANÇAIS
1	1	200503	Protection, noire	
2	1	806620	Socle	
3	1	804833	Ensemble hauteur Exacta	
4	1	908006	Section de poteau supérieure	
5	1	908107	Section de poteau centrale	
6	1	908005	Section de poteau inférieure	
7	2	206934	Gros boulon à œil, 9,5 mm	
8	2	203063	Contre-écrou en nylon, 3/8-16	
9	1	206634	Tige, 1/2 x 9-1/2 de long	
10	1	203099	Écrou, Ny-lock, 5/16-18	
11	4	201681	Entretoise, plastique D.I. 0,530 x .88 (long.)	
12	1	202662	Boulon, tête à six pans, 5/16-18 x 11,4 cm (long.)	
13	2	200341	Cache-écrou	
14	5	203100	Écrou à bride à 6 pans, 5/16-18	
15	1	204832	Support de poteau	
16	2	203053	Boulon ordinaire, 5/16-18 x 4 cm long.	
17	4	203232	Rondelle, métallique, 19 mm	
18	4	201124	Contre-écrou, 3/8-16	
19	4	206360	Boulon, tête à six pans, 3/8-16 x 6,6 cm (long.)	
20	2	204858	Entretoise, Biscuit, plastique	
21	2	204857	Cale d'espacement, métallique, D.E. 1.2 cm x 3,6 cm (long.)	
22	2	204859	Protection, goupille	
23	1	203038	Boulon ordinaire, 5/16-18 x 7 cm (long.)	
24	1	204850	Goupille, blocage	
25	1	204853	Cordon, torsadé noir	
26	4	201683	Entretoise, D.I. 0,530 x 1.5 (long.)	
27	2	900964	Support, panneau	
28	2	200874	Entretoise, D.I. .402 x D.E. .5 x 1,5 (long.)	
29	6	206244	Boulon, six pans, 1/2-13 x 8 de long.	
30	4	201642	Entretoise, plastique, D.I. 0,530 x .625 (long.)	
31	7	206340	Contre-écrou, six pans, 1/2-13	
32	2	904820	Tube du système élévateur, inférieur et long	
33	1	204837	Ressort, contrepoids	
34	1	900235	Cerceau	
35	2	904808	Tube du système élévateur, supérieur et court	
36	2	201682	Entretoise, D.I. 0,530 x 1,875	
37	2	900867	Plaque triangulaire (noire)	
38	1	207103	Capuchon, dessus du poteau	
39	2	200520	Vis, #8 x 1/2	
40	1	202605	Boulon, 6 pans, 1/2-13 x 4,25 (long)	
41	1	206219	Bouchon, réservoir	
42	12*	201219	Pince de filet (blanche)	
43	1	204290	Filet	
44	1	204444	Corde en nylon noir	
45	1	203124	Piquet de fixation au sol	
46	1	201252	Étiquette, échelle de hauteur et déplacement	
47	6	203309	Rondelle plate, D.I. .406 x D.E. 1	
48	4*	205528	Boulon, bride, six pans, 5/16-18 x 2,54 cm (long.)	
49	1	206990	Support de renforcement	

Item	Qty.	Part No.	Description	DEUTSCH
1	1	200503	Abdeckung, schwarz	
2	1	806620	Sockelbaugruppe	
3	1	804833	Exacta-Höheneinstellkomponenten	
4	1	908006	Oberes Stangenteil	
5	1	908107	Mittleres Stangenteil	
6	1	908005	Unteres Stangenteil	
7	2	206934	Große Einschrauböse, 3/8 Zoll	
8	2	203063	Nylon-Einschraubgegenmutter, 3/8-16	
9	1	206634	Stange, 1/2 x 9-1/2 Länge	
10	1	203099	Ny-Lock-Mutter, 5/16-18	
11	4	201681	Abstandsstück, Plastik, 0,530 ID x 0,88 Länge	
12	1	202662	Sechskantkopfschraube, 5/16-18 x 4-1/2 Länge	
13	2	200341	Schraubenabdeckung	
14	5	203100	Sechskant-Flanschmutter, 5/16-18	
15	1	204832	Stangenmontageklammer	
16	2	203053	Schlossschraube, 5/16-18 x 4 Länge	
17	4	203232	Unterlegscheibe, Metall, 3/4 Zoll AD	
18	4	201124	Gegenmutter, 3/8-16	
19	4	206360	Sechskantkopfschraube, 3/8-16 x 2-5/8 Länge	
20	2	204858	Abstandsstück, rund, Plastik	
21	2	204857	Abstandsstück, Metall, 1/2 Zoll AD x 1,44 Zoll Länge	
22	2	204859	Stiftschiebeabdeckung	
23	1	203038	Schlossschraube, 5/16-18 x 2-3/4 Länge	
24	1	204850	Verriegelungsstift	
25	1	204853	Abzugsleine, schwarze Rolle	
26	4	201683	Abstandsstück, 0,530 ID x 1,5 Länge	
27	2	900964	Korbwandstützklammer	
28	2	200874	Abstandsstück, Stahl, 0,402 ID x 0,5 AD x 1,5 Länge	
29	6	206244	Sechskantkopfschraube, 1/2-13 x 8 Länge	
30	4	201642	Sechskantkopfschraube, 1/2-13 x 8 Länge	
31	7	206340	Sechskant-Gegenmutter, 1/2-13	
32	2	904820	Unteres langes Verlängerungsrohr	
33	1	204837	Gegengewichtsfeder	
34	1	900235	Korbband	
35	2	904808	Oberes kurzes Verlängerungsrohr	
36	2	201682	Abstandsstück, 0,530 ID x 1,875	
37	2	900867	Dreiecksplatte, (Schwarz)	
38	1	207103	Stangenendkappe	
39	2	200520	Schraube, Nr. 8 x 1/2 Zoll	
40	1	202605	Sechskantschraube, 1/2-13 x 4,25 Länge	
41	1	206219	Tankdeckelverschluss	
42	12*	201219	Netzhalteklammer, (Weiß)	
43	1	204290	Netz	
44	1	204444	Schwarzes Nylonseil	
45	1	203124	Bodenverankerungspfahl	
46	1	201252	Höheneinstell- und Transportaufkleber	
47	6	203309	Unterlegscheibe, 0,406 ID x 1 AD, flach	
48	4*	205528	Sechskant-Flanschschraube, 5/16-18 x 1 Länge	
49	1	206990	Verstärkungshalterung	

Item	Qty.	Part No.	Description	ESPAÑOL
1	1	200503	Cubierta, negra	
2	1	806620	Conjunto de la base	
3	1	804833	Conjunto Exacta Height	
4	1	908006	Sección superior del poste	
5	1	908107	Sección media del poste	
6	1	908005	Sección inferior del poste	
7	2	206934	Perno de anilla grande, 3/8"	
8	2	203063	Tuerca de nilón del inserto de seguridad, 3/8-16	
9	1	206634	Varilla, 1/2 x 9-1/2 de longitud	
10	1	203099	Tuerca, Ny-lock, 5/16-18	
11	4	201681	Espaciador, plástico, 0,530 D.I. x 0,88 de longitud	
12	1	202662	Perno, cabeza hexagonal, 5/16-18 x 4-1/2 de longitud	
13	2	200341	Cubierta de la tuerca	
14	5	203100	Tuerca, brida hexagonal, 5/16-18	
15	1	204832	Soporte, montaje del poste	
16	2	203053	Perno cabeza de carro, 5/16-18 x 4 de longitud	
17	4	203232	Arandela de metal, 3/4" D.E.	
18	4	201124	Contratuercas, 3/8-16	
19	4	206360	Perno, cabeza hexagonal, 3/8-16 x 2-5/8 de longitud	
20	2	204858	Espaciador, oblongo, plástico	
21	2	204857	Espaciador, de metal, 1/2" de D.E. x 1,44 de largo	
22	2	204859	Cubierta, corredera de perno	
23	1	203038	Perno cabeza de carro, 5/16-18 x 2 -3/4 de longitud	
24	1	204850	Perno de fijación	
25	1	204853	Acollador, espiral negro	
26	4	201683	Espaciador 0.530 D.I. x 1.5 de longitud	
27	2	900964	Soporte del respaldo	
28	2	200874	Espaciador, acero, 0.402 D.I. x 0.5 D.E. x 1.5 de longitud	
29	6	206244	Perno, cabeza hexagonal, 1/2-13 x 8 de longitud	
30	4	201642	Espaciador, plástico, 0,530 D.I. x 0,625 de longitud	
31	7	206340	Contratuercas, cabeza hexagonal, 1/2-13	
32	2	904820	Tubo elevador, inferior (largo)	
33	1	204837	Resorte, contrapeso	
34	1	900235	Borde	
35	2	904808	Tubo elevador, superior (corto)	
36	2	201682	Espaciador 0.530 D.I. x 1.875	
37	2	900867	Placa triangular, (negra)	
38	1	207103	Tapa, parte superior del poste	
39	2	200520	Tornillo, #8 x 1/2	
40	1	202605	Perno hexagonal 1/2-13 x 4,25 de longitud	
41	1	206219	Tapón, tapa del tanque	
42	12*	201219	Sujetador de la red, (blanco)	
43	1	204290	Red	
44	1	204444	Cuerda de nilón negra	
45	1	203124	Estaca, amarre	
46	1	201252	Etiqueta, ajuste de la altura y de movimiento	
47	6	203309	Arandela, 0.406 D.I. x 1 D.E. plana	
48	4*	205528	Perno, brida hexagonal, 5/16-18 x 1 de longitud	
49	1	206990	Soporte de refuerzo	

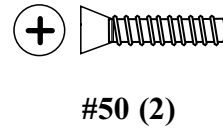
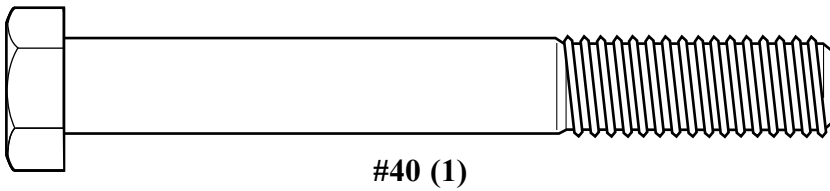
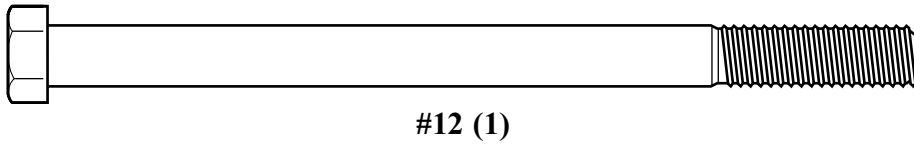
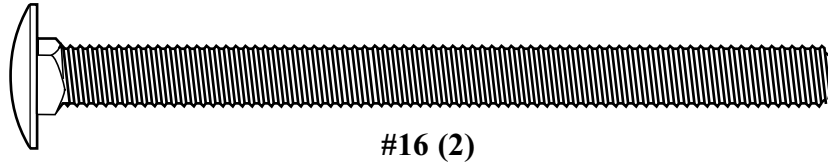
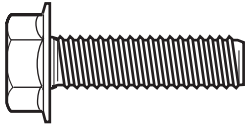
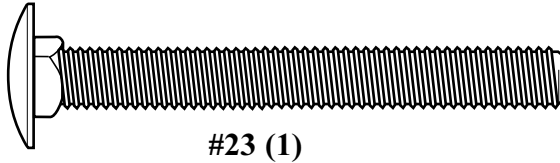
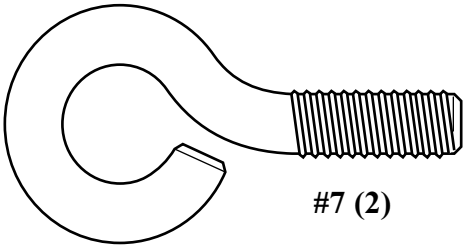
AVERTISSEMENT : SI VOTRE SYSTÈME EST ÉQUIPÉ D'UN PANNEAU EN ACRYLIQUE, EXAMINEZ-LE BIEN POUR VOUS ASSURER QU'IL N'A PAS ÉTÉ ENDOMMAGÉ EN COURS DE TRANSPORT. S'IL EST FISSURÉ, IL RISQUE DE SE CASSER SUBITEMENT. SI LE PANNEAU EST ENDOMMAGÉ D'UNE QUELCONQUE MANIÈRE AVANT OU APRÈS L'ASSEMBLAGE, APPELEZ LE NUMÉRO SANS FRAIS : U.S. 1-800-558-5234 ; CANADA : 1-800-284-8339 ; <http://www.huffysports.com>

WARNING: BEI EINEM MIT EINER AKRYL-RÜCKWAND AUSGESTATTETEN SYSTEM DIE KORBWAND AUF EVENTUELLE SCHÄDEN UNTERSUCHEN, DIE WÄHREND DES VERSANDS EINGETRETEN SEIN KÖNNEN. SPRÜNGE IN DER KORBWAND KÖNNEN ZU DEREN PLÖTZLICHEM BRUCH FÜHREN. WENN DIE KORBWAND VOR ODER NACH DEM ZUSAMMENBAU IN JEDLICHER WEISE BESCHÄDIGT WIRD, RUFEN SIE DIE FOLGENDE GEBÜHRENFREIE TELEFONNUMMER AN: Innerhalb der USA: 1-800-558-5234; innerhalb KANADAS: 1-800-284-8339; <http://www.huffysports.com>

ADVERTENCIA: SI SU SISTEMA ESTÁ EQUIPADO CON UN RESPALDO DE ACRÍLICO, EXAMINE EL RESPALDO PARA VERIFICAR QUE NO HAYA SUFRIDO DAÑOS DURANTE EL TRANSPORTE. LA PRESENCIA DE GRIETAS EN EL RESPALDO PODRÍA OCASIONAR SU ROMPIMIENTO REPENTINO. SI EL RESPALDO SE DAÑA DE ALGUNA MANERA ANTES O DESPUÉS DE SU MONTAJE, LLAME AL NÚMERO TELEFÓNICO SIN COSTO: EE. UU. 1-800-558-5234; CANADÁ: 1-800-284-8339; <http://www.huffysports.com>

* IL EST POSSIBLE QUE VOUS AYEZ D'AUTRES PIÈCES AVEC CE MODÈLE.
 * DIESEM MODELL KÖNNEN ZUSÄTZLICHE TEILE BEIGEPACKT SEIN.
 * PUEDE HABER PIEZAS ADICIONALES EN ESTE MODELO.

IDENTIFICATION DES PIÈCES (BOULONS & VIS)
BEFESTIGUNGSTEILESCHLÜSSEL (BOLZEN UND SCHRAUBEN)
IDENTIFICADOR DE HERRAJE (PERNOS Y TORNILLOS)



* You may have extra parts with this model.

IDENTIFICATION DES PIÈCES (ENTRETOISES EN ACIER)
BEFESTIGUNGSTEILESCHLÜSSEL (ABSTANDSSTÜCKE AUS STAHL)
IDENTIFICADOR DEL HERRAJE (ESPACIADORES DE ACERO)

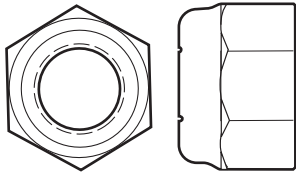


#21 (2)

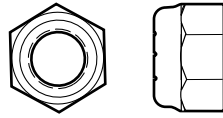


#28 (2)

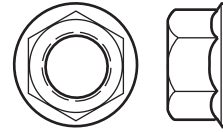
IDENTIFICATION DES PIÈCES (ÉCROUS & RONDELLES)
BEFESTIGUNGSTEILESCHLÜSSEL (MÜTTERN UND UNTERLEGSCHIEBEN)
IDENTIFICADOR DE HERRAJE (TUERCAS Y ARANDELAS)



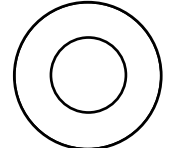
#31 (7)



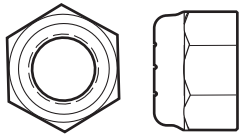
#10 (1)



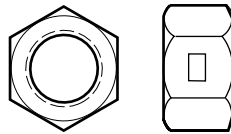
#14 (11)



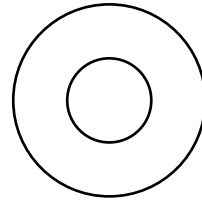
#17 (4)



#8 (2)

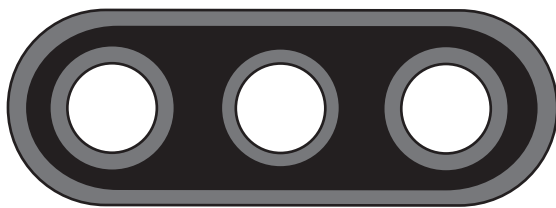


#18 (4)

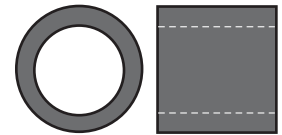


#47 (6)

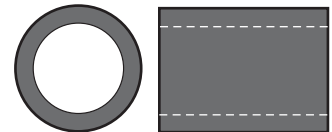
IDENTIFICATION DES PIÈCES (ENTRETOISES, CAPUCHONS & PINCES EN PLASTIQUE)
BEFESTIGUNGSTEILESCHLÜSSEL (ABSTANDSSTÜCKE, KAPPEN UND CLIPS AUS KUNSTSTOFF)
IDENTIFICADORES DEL HERRAJE (TAPAS DE LOS ESPACIADORES Y SUJETADORES DE PLÁSTICO)



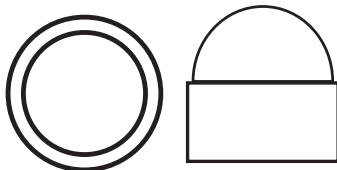
#20 (2)



#30 (4)



#11(4)



#13 (2)



#42 (12)*



#26 (4)



#36 (2)

SECTION A : MONTAGE DU SOCLE

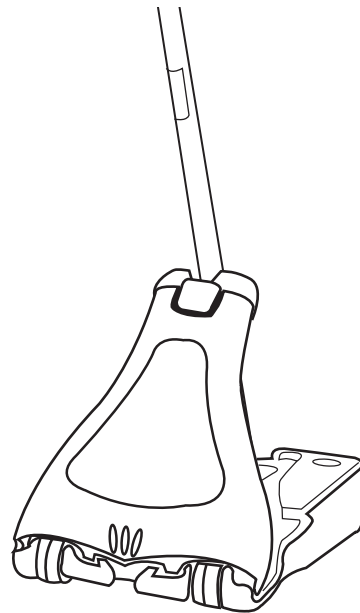
BAUABSCHNITT A: ZUSAMMENBAU DES SOCKELS

SECCIÓN A: MONTAJE DE LA BASE

Voici à quoi ressemblera votre système lorsque vous en aurez fini avec cette section:

So sieht das System aus, wenn Sie mit diesem Bauabschnitt fertig sind:

Así es como se verá su sistema cuando haya terminado esta sección:



OUTILS REQUIS POUR CETTE SECTION FÜR DIESEN BAUABSCHNITT BENÖTIGTES WERKZEUG HERRAMIENTAS REQUERIDAS PARA ESTA SECCIÓN

(2) Clés
(2) Schraubenschlüssel
(2) Llaves



9/16" and 1/2"

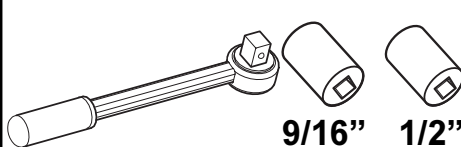


un tournevis cruciforme
ein Kreuzschlitzschraubenzieher
un destornillador Phillips

ET/OU
UND/ODER
Y/O

(2) Clés à douilles et douilles
(2) Steckschlüssel und Einsätze

(2) Llaves de tuercas de boca tubular y casquillos de



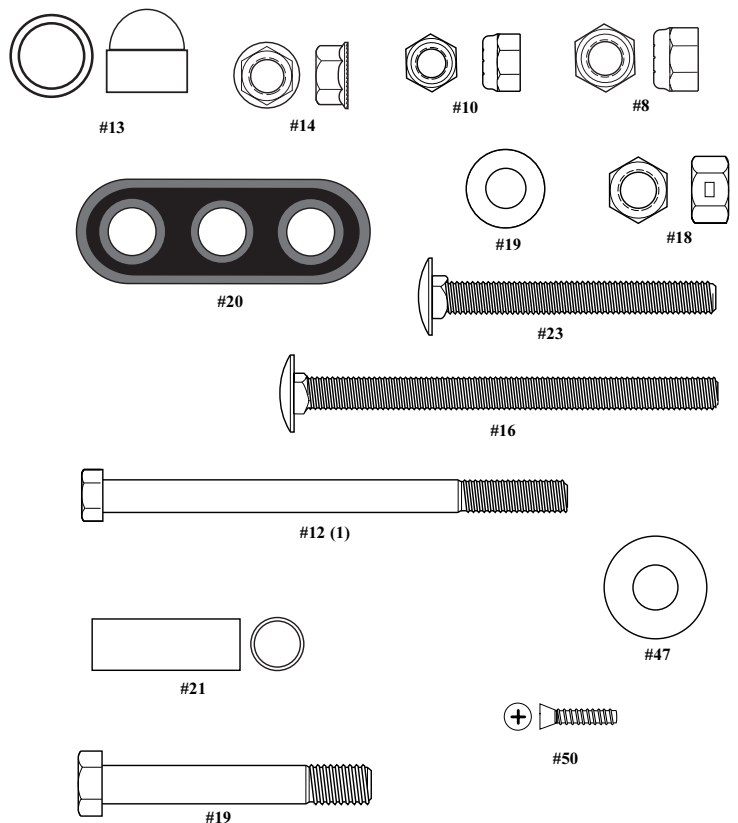
9/16" 1/2"

Extension de douille
Einsatz mit Verlängerung
Extensión de casquillo

VISSERIE UTILISÉE DANS CETTE SECTION (pas à l'échelle)

IN DIESEM BAUABSCHNITT BENUTZTE BEFESTIGUNGSTEILE
(die Abbildungen entsprechen nicht der tatsächlichen Größe)

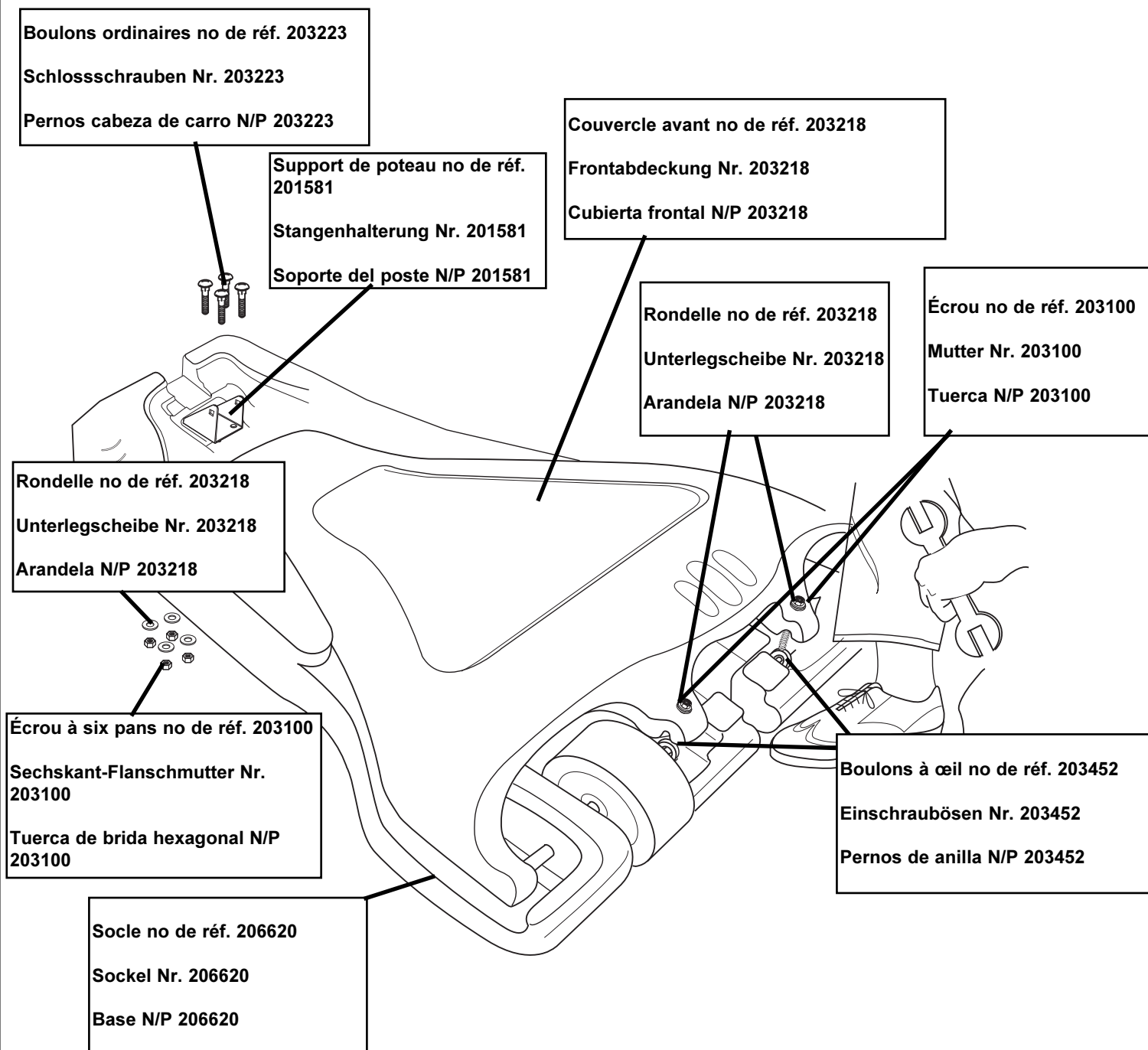
HERRAJE USADO EN ESTA SECCIÓN (no se muestra en su tamaño real)



1A. Vérifiez le serrage des zones pré-assemblées suivantes du socle : Boulons à œil (no de réf. 203452), rondelle (no de réf. 203218), écrou (no de réf. 203100), boulons ordinaires (no de réf. 203223).

Überprüfen Sie die folgenden vormontierten Sockelbauteile auf ihren festen Sitz: Einschraubösen Nr.203452, Unterlegscheibe Nr. 203218, Mutter Nr. 203100, Schlossschrauben Nr. 203223.

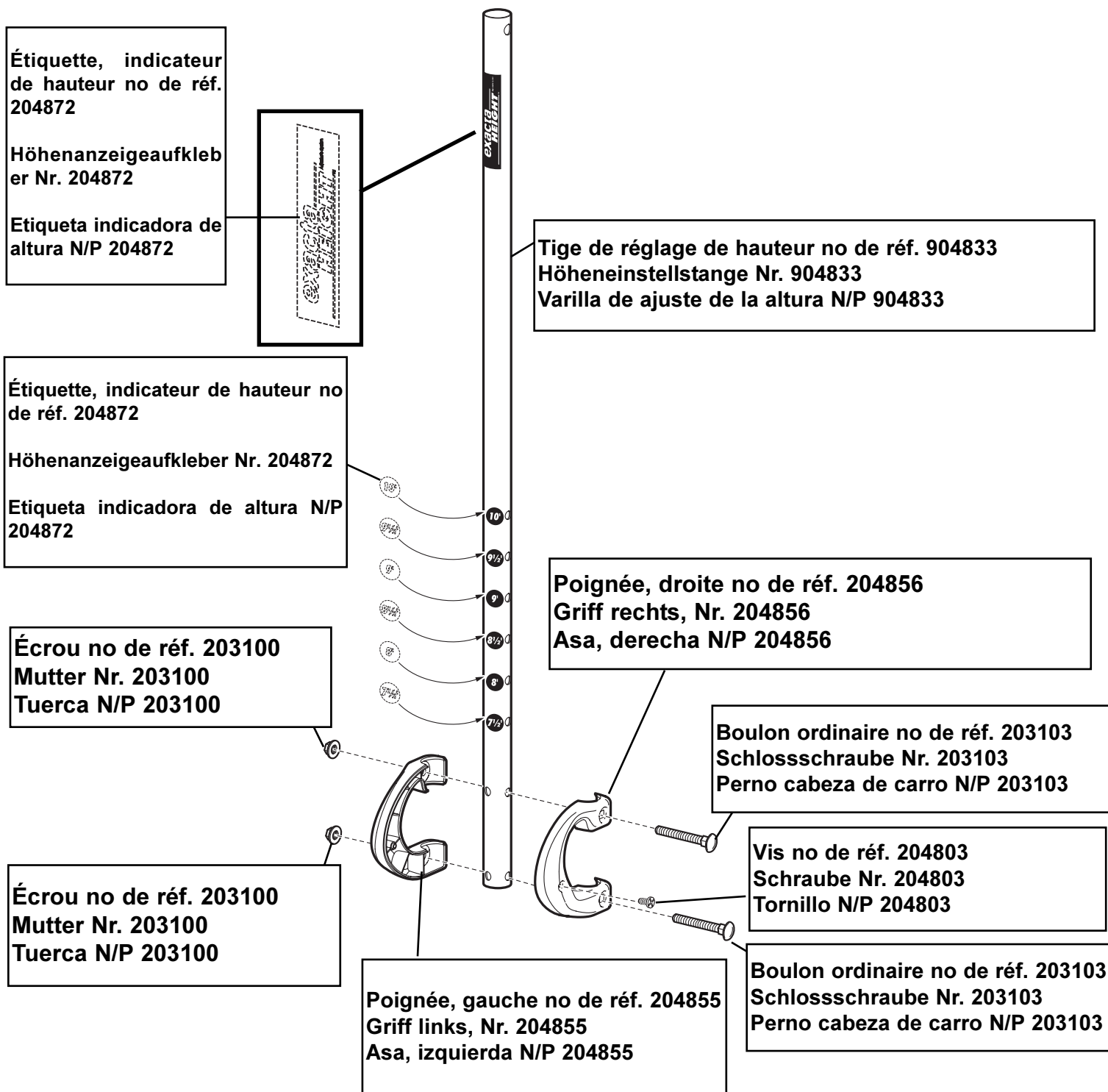
Revise que las siguientes áreas de la base premontada estén apretadas: Pernos de anilla N/P 203452, arandela N/P 203218, tuerca N/P 203100, pernos cabeza de carro N/P 203223.



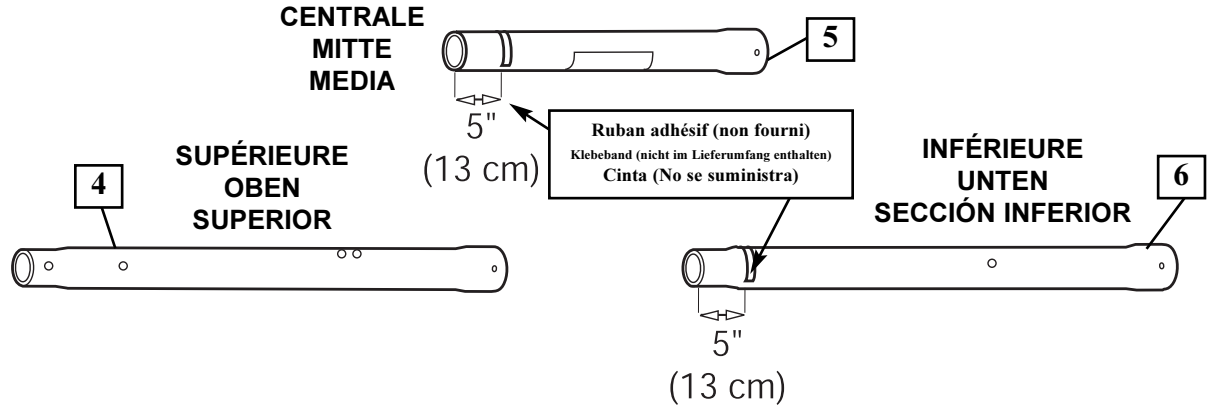
1B. Vérifiez le serrage des zones pré-assemblées suivantes de la poignée : Vis (no de réf. 2048032), écrou (no de réf. 203100), boulons ordinaires (no de réf. 203103).

Überprüfen Sie die folgenden vormontierten Griffbauteile auf ihren festen Sitz: Schraube Nr.2048032, Mutter Nr. 203100, Schlossschrauben Nr. 203103.

Revise que las siguientes áreas de las asas premontadas estén apretadas: Tornillo N/P 2048032, tuerca N/P 203100, pernos cabeza de carro N/P 203103




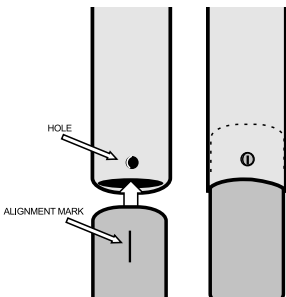
- 2.** Placez des repères sur les sections de poteau avec du ruban adhésif (non fourni), comme illustré.
Die Stangenteile wie gezeigt mit Klebeband (nicht im Lieferumfang enthalten) markieren.
Marque con cinta las secciones del poste (no se suministran), como se muestra.

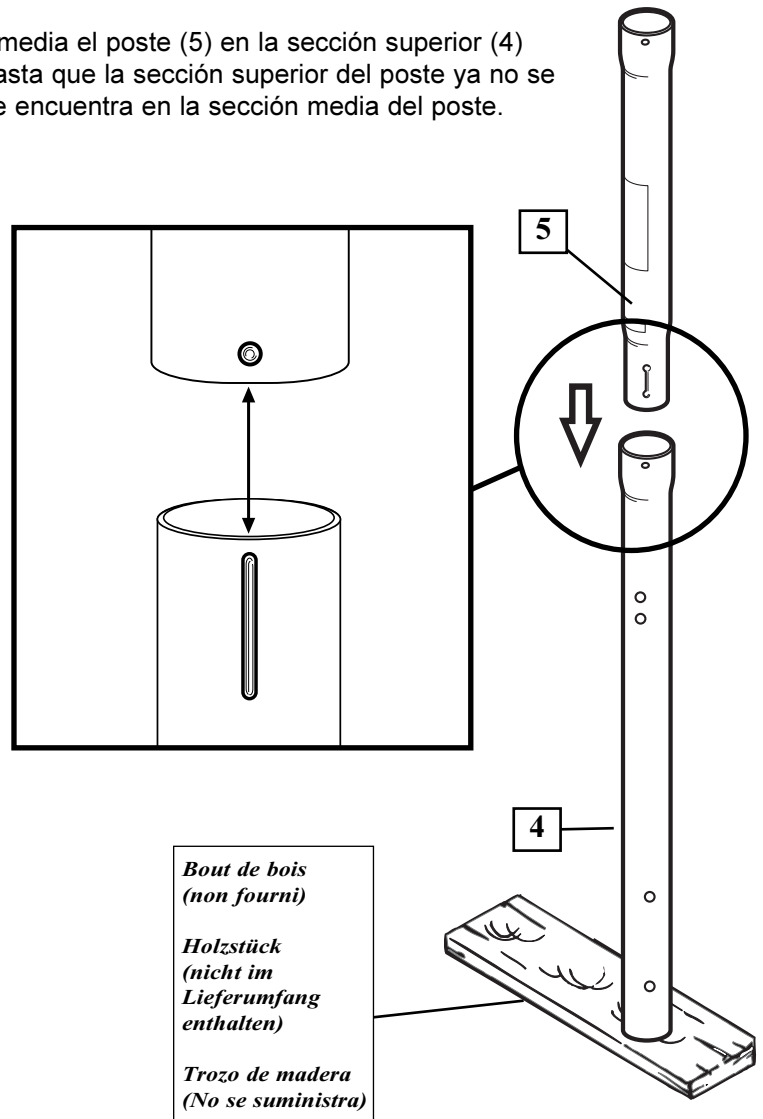


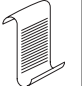
- 3.** Tout en maintenant l'alignement, entrechoquez les sections de poteau supérieure (4) et centrale (5) en utilisant une chute de bois, comme illustré, jusqu'à ce qu'elles ne bougent plus vers le repère de référence (ruban adhésif). Redressez l'ensemble.

Unter Wahrung der korrekten Ausrichtung das mittlere Stangenteil (5) wie gezeigt mit einem Holzstück in das obere Stangenteil (4) hineinklopfen, bis sich das obere Stangenteil nicht mehr auf die mit Klebeband markierte Stelle am mittleren Stangenteil zubewegt. Den Stangenaufbau aufrichten.

Mientras mantiene la alineación, golpee la sección media del poste (5) en la sección superior (4) usando un recorte de madera, como se muestra, hasta que la sección superior del poste ya no se mueva hacia la marca de referencia de cinta que se encuentra en la sección media del poste. Coloque el conjunto en posición vertical.

 IMPORTANT! WICHTIG! ¡IMPORTANTE!	<p>Centrez la fente d'alignement de la section de poteau centrale (5) sur un trou inférieur de la section de poteau supérieure (4), comme illustré.</p> <p>Den zur leichteren Ausrichtung vorgesehenen Schlitz am mittleren Stangenteil (5) wie gezeigt in einem tieferen Loch des oberen Stangenteils (4) zentrieren.</p> <p>Centre la ranura de alineación de la sección media del poste (5) en el orificio inferior de la sección superior del poste (4), como se muestra.</p>
	



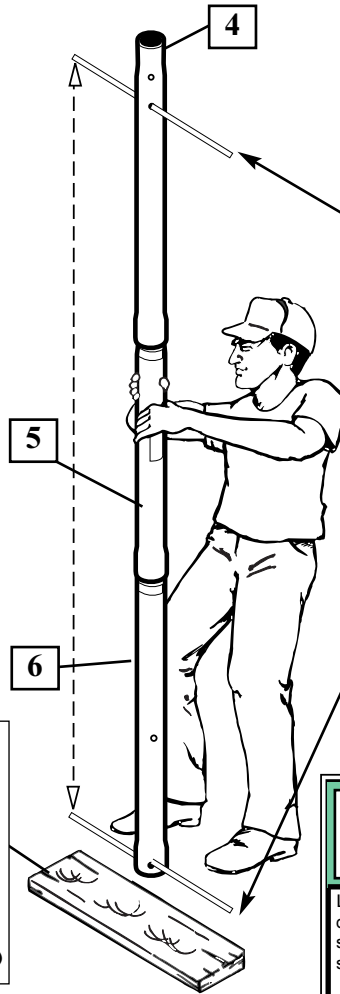
 REMARQUE: HINWEIS: NOTA:
<p>Les sections de poteau doivent se chevaucher de 9 cm minimum. Une fois assemblées, les sections de poteau ne PEUVENT pas être séparées !</p> <p>Las secciones del poste se deben traslapar un mínimo de 3-1/2" (9 cm). Una vez montadas las secciones del poste ¡NO SE PUEDEN separar!</p> <p>Die Stangenteile müssen einander um mindestens 9 cm (3 1/2 Zoll) überlappen. Nach dem Zusammenbau können die einzelnen Stangenteile NICHT mehr voneinander getrennt werden.</p>

4.

Entrechoquez l'ensemble sections supérieure (4) et centrale (5) avec la section inférieure (6) à l'aide d'une chute de bois, comme illustré. Entrechoquez-les jusqu'à ce que l'ensemble sections supérieure et centrale ne bougent plus vers le repère de référence (ruban adhésif) sur la section de poteau inférieure.

Den oberen (4) und mittleren Stangenaufbau (5) wie gezeigt mit einem Holzstück in das obere Stangenteil (6) hineinklopfen. Die Baugruppen zusammenstauchen, bis sich der obere und mittlere Stangenaufbau nicht mehr auf die mit Klebeband markierte Stelle am unteren Stangenteil zubewegen.

Golpee el conjunto de la sección superior del poste (4) y la sección media del poste (5) en la sección inferior del poste (6) usando un trozo de madera como se muestra. Siga golpeando hasta que el conjunto de las secciones superior y media del poste ya no se mueva hacia la marca de referencia de cinta que se encuentra en la sección inferior del poste.



CES TIGES SONT ILLUSTRÉES UNIQUEMENT POUR INDIQUER L'ALIGNEMENT REQUIS. ELLES NE SONT PAS COMPRIS DANS LE MATÉRIEL FOURNI.

DIE HIER ABGEBILDETEN STÄBE DIENEN NUR DER BESSEREN VERANSCHAULICHUNG DER KORREKTEN AUSRICHTUNG; SIE SIND NICHT IM LIEFERUMFANG ENTHALTEN.

LAS VARILLAS SE MUESTRAN CON EL OBJETO DE REPRESENTAR VISUALMENTE LA ALINEACIÓN, Y NO SE SUMINISTRAN CON EL HERRAJE



IMPORTANT!
WICHTIG!
¡IMPORTANTE!

Les trous des sections de poteau supérieure (4) et inférieure (6) DOIVENT être alignés les uns sur les autres pour permettre le positionnement correct du système élévateur vers la surface de jeu.

Die Löcher im oberen (4) und unteren (6) Stangenteil MÜSSEN miteinander zur Deckung kommen, damit das Verlängerungssystem richtig zur Spielfläche hin positioniert werden kann.

Los orificios de las secciones superior (4) e inferior (6) del poste DEBEN estar alineados para colocar correctamente el sistema elevador hacia la superficie de juego.

*Bout de bois
(non fourni)*

*Holzstück
(nicht im
Lieferumfang
enthalten)*

*Trozo de madera
(No se suministra)*



REMARQUE:
HINWEIS:
NOTA:

Les sections de poteau doivent se chevaucher de 9 cm minimum. Une fois assemblées, les sections de poteau ne PEUVENT pas être séparées !

Las secciones del poste se deben traslapar un mínimo de 3-1/2" (9 cm). Una vez montadas las secciones del poste ¡NO SE PUEDEN separar!

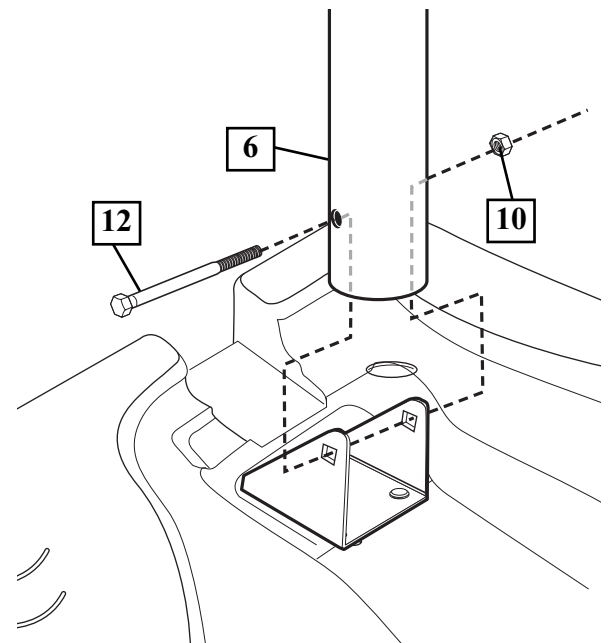
Die Stangenteile müssen einander um mindestens 9 cm (3 1/2 Zoll) überlappen. Nach dem Zusammenbau können die einzelnen Stangenteile NICHT mehr voneinander getrennt werden.

5.

Enfilez le boulon (12) dans le support et la section de poteau inférieure (6) et fixez avec l'écrou (10), comme illustré. L'écrou doit être serré jusqu'à ce qu'il soit contre le bord extérieur des contre-écrous.

Die Schraube (12) wie gezeigt durch die Halterung und das untere Stangenteil (6) schieben und mit der Mutter (10) befestigen. Die Mutter muss so weit angezogen werden, bis sie bündig mit der Außenkante der Gegenmutter abschließt.

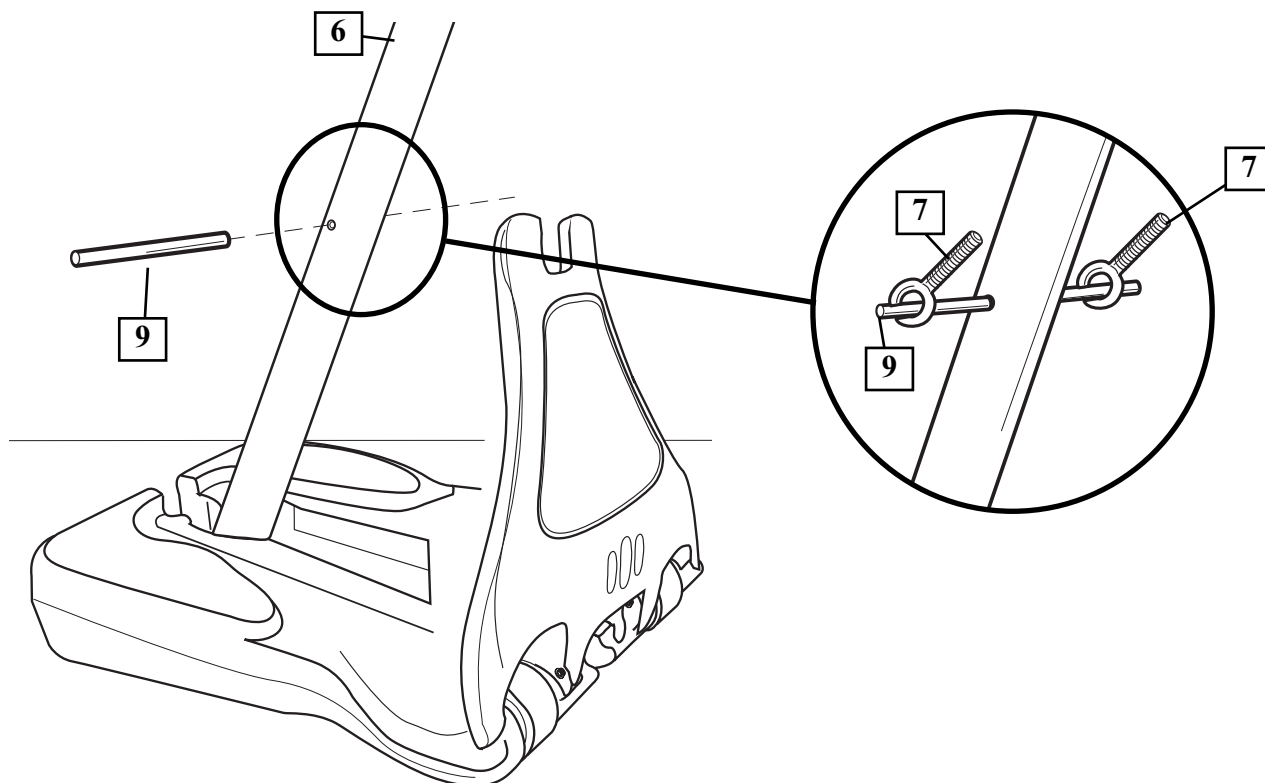
Instale el perno (12) a través del soporte y de la sección inferior del poste (6) y fije con la tuerca (10) como se muestra. La tuerca se debe apretar hasta que quede al ras del borde exterior de las contratuercas.



6. Enfilez la tige (9) dans la section de poteau inférieure (6), comme illustré. Installez les boulons à œil (7) sur la tige (9), comme illustré.

Die Stange (9) wie gezeigt durch das untere Stangenteil (6) anbringen. Die großen Einschraubösen (7) wie gezeigt an der Stange (9) anbringen.

Instale la varilla (9) a través de la sección inferior del poste (6) como se muestra. Instale los pernos de anilla grandes (7) en la varilla (9) como se muestra.

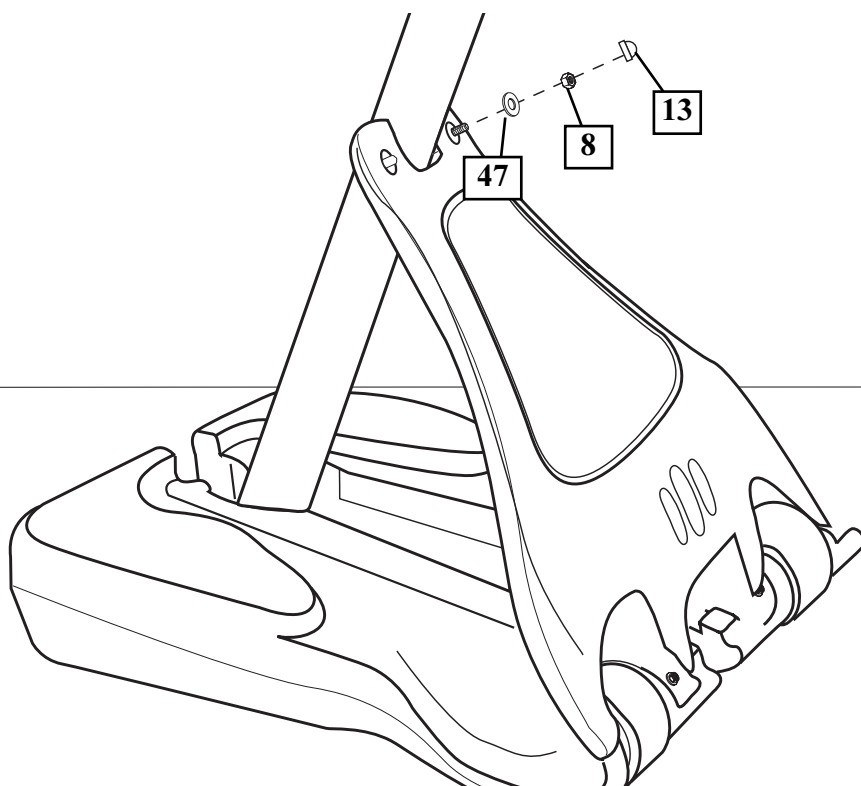


7.

Fixez le couvercle sur la tige (9) avec les rondelles (47), les écrous (8) et les cache-écrous (13), comme illustré.

Die Abdeckung wie gezeigt mit Unterlegscheiben (47), Muttern (8) und Mutternabdeckungen (13) an der Stange (9) befestigen.

Fije la cubierta a la varilla (9) usando las arandelas (47), las tuercas (8) y las cubiertas de las tuercas (13) como se muestra.

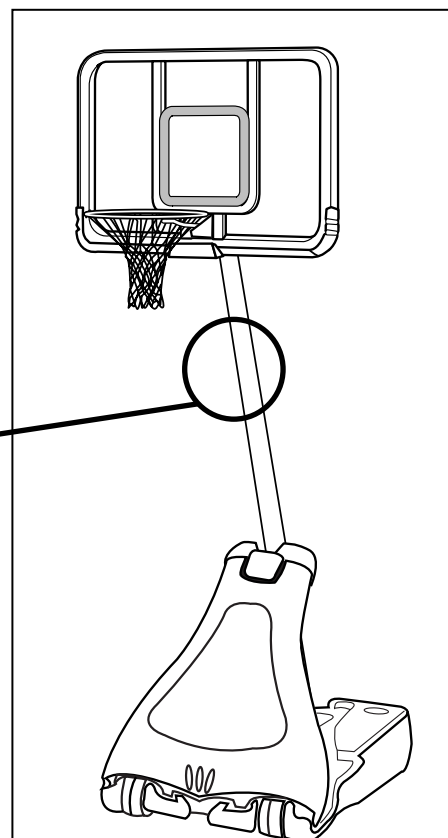
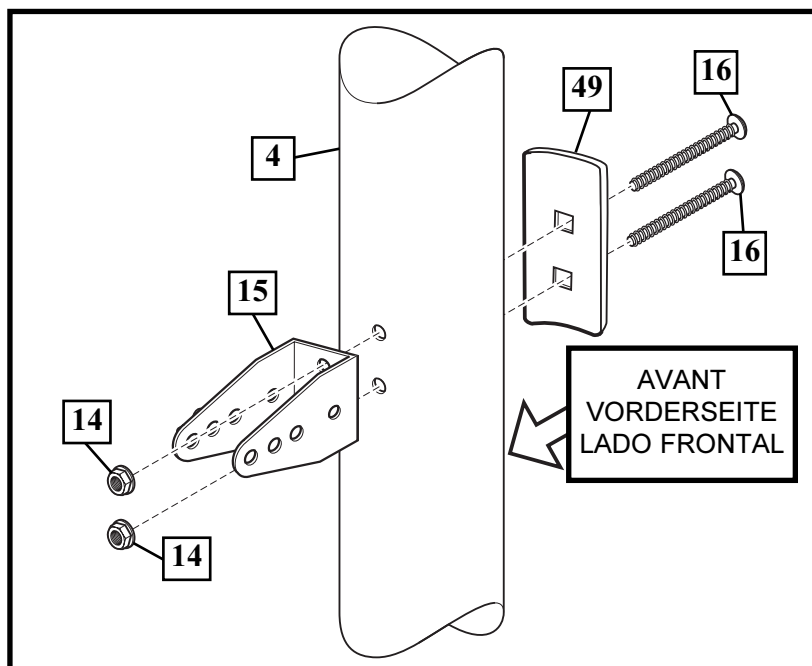


8.

Installez le support du poteau (15) et le support de renforcement (49) à l'aide des boulons ordinaires (16), comme illustré. Serrez à fond les écrous à bride (14).

Die Stangenmontagehalterung (15) und die Verstärkungshalterung (49) wie gezeigt mit Schlossschrauben (16) befestigen. Die Flanschmutter (14) fest anziehen.

Instale el soporte de montaje del poste (15) y el soporte de refuerzo (49) con los pernos cabeza de carro (16) como se muestra. Apriete completamente las tuercas de brida (14).

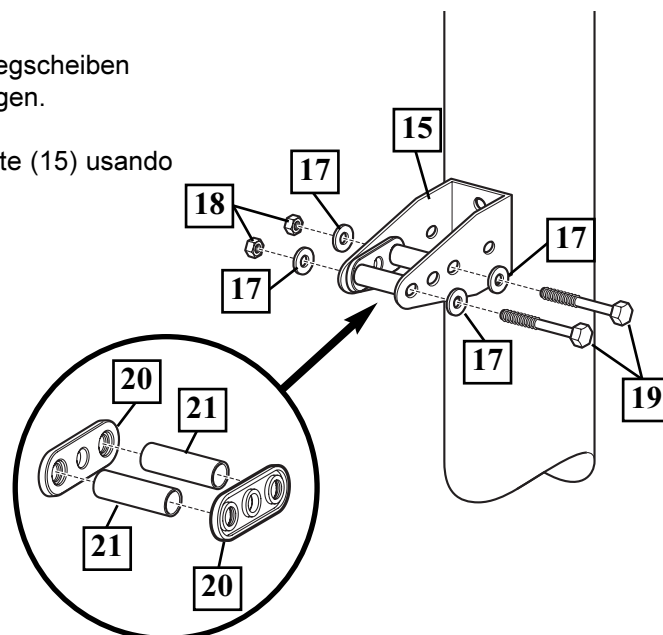


9.

Attachez les entretoises (20, 21) au support de poteau (15) avec les boulons (19), les rondelles (17) et les écrous (18), comme illustré.

Die Abstandsstücke (20, 21) wie gezeigt mit Schrauben (19), Unterlegscheiben (17) und Muttern (18) an der Stangenmontagehalterung (15) befestigen.

Conecte los espaciadores (20, 21) en el soporte de montaje del poste (15) usando pernos (19), arandelas (17) y tuercas (18) como se muestra.



IMPORTANT!
WICHTIG!
¡IMPORTANTE!

Serrez juste jusqu'à ce que les rondelles (17) cessent de tourner.

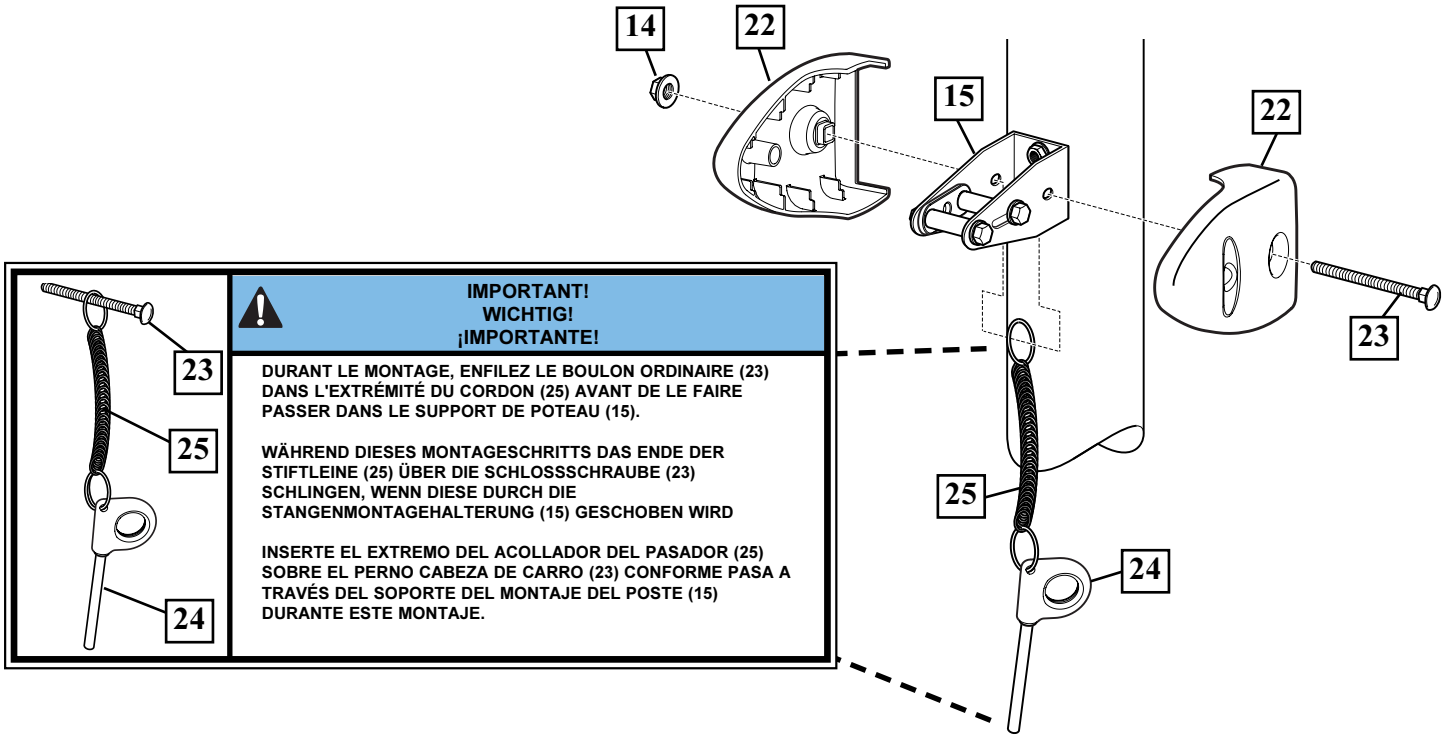
Nur so weit anziehen, bis sich die Unterlegscheiben (17) nicht mehr bewegen.

Apriete lo suficiente para que las arandelas (17) no se muevan.

10. Assemblez le cordon (25) et la goupille de blocage (24), comme illustré (FIG. a). Attachez les protections (22) sur le support de poteau (15) à l'aide du boulon ordinaire (23) et de l'écrou (14), comme illustré.

Die Leine (25) wie gezeigt (Abb. A) am Verriegelungsstift (24) befestigen. Die Abdeckungen (22) mit der Schlossschraube (23) und Mutter (14) wie gezeigt an der Stangenmontagehalterung (15) befestigen.

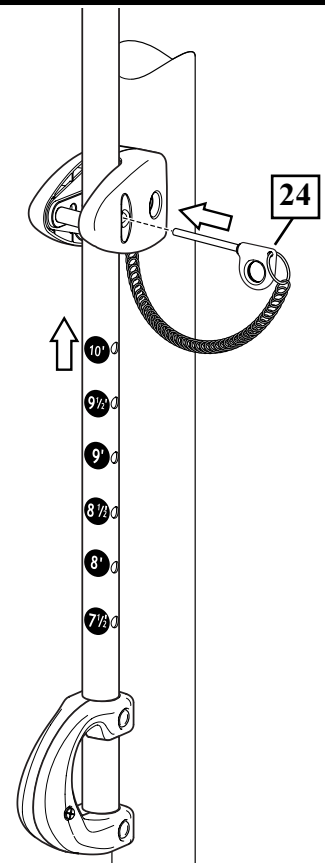
Monte el acollador (25) en el perno de fijación (24) como se muestra (FIG A). Coloque las cubiertas (22) en el soporte de montaje del poste (15) con un perno cabeza de carro (23) y una tuerca (14) como se muestra.



11. Insérez l'ensemble des barres dans le support de poteau, comme illustré. Bloquez le poteau en position à 3.05 m (10 pieds) à l'aide de la goupille (24).

Die Griffbaugruppe wie gezeigt durch Stangenmontageeinheit schieben. Den Stangenaufbau mit dem Stift (24) an der 3,05-m- (10-Fuß)-Markierung sichern.

Introduzca el conjunto de la manija a través del conjunto de montaje del poste, como se muestra. Fije el conjunto del poste en su lugar en la marca de los 10' (3.05 m) con el pasador (24).

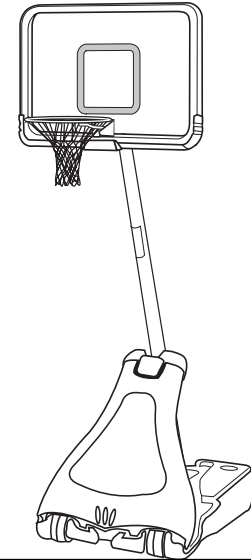


SECTION B : ATTACHEZ LE PANNEAU BAUABSCHNITT B: ANBRINGEN DER KORBWAND SECCIÓN B: CONECTE EL RESPALDO

Voici à quoi ressemblera votre système lorsque vous en aurez fini avec cette section:

So sieht das System aus, wenn Sie mit diesem Bauabschnitt fertig sind:

Así es como se verá su sistema cuando haya terminado esta sección:



OUTILS REQUIS POUR CETTE SECTION
FÜR DIESEN BAUABSCHNITT BENÖTIGTES WERKZEUG
HERRAMIENTAS REQUERIDAS PARA ESTA SECCIÓN

(2) clés 1/2", (2) clés 9/16" ET (2) clés 3/4"

(2) 1/2", (2) 9/16" UND (2) 3/4"
Schraubenschlüssel

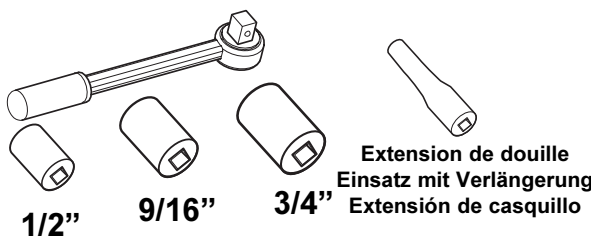
(2) Llaves de 1/2", (2) de 9/16" Y (2) de 3/4"



un tournevis cruciforme
ein Kreuzschlitzschraubenzieher
un destornillador Phillips

ET/OU
UND/ODER
Y/O

(2) clés à douilles et douilles

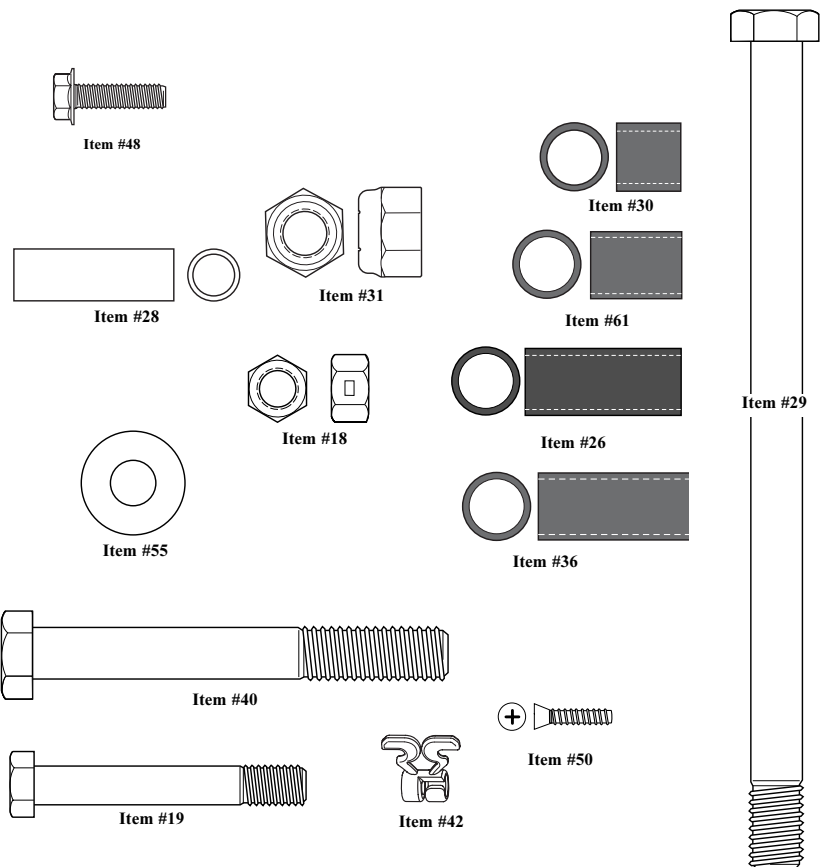


Extension de douille
Einsatz mit Verlängerung
Extensión de casquillo

VISSERIE UTILISÉE DANS CETTE SECTION (pas à l'échelle)

IN DIESEM BAUABSCHNITT BENUTZTE BEFESTIGUNGSTEILE (die Abbildungen entsprechen nicht der tatsächlichen Größe)

HERRAJE USADO EN ESTA SECCIÓN (no se muestra en su tamaño real)

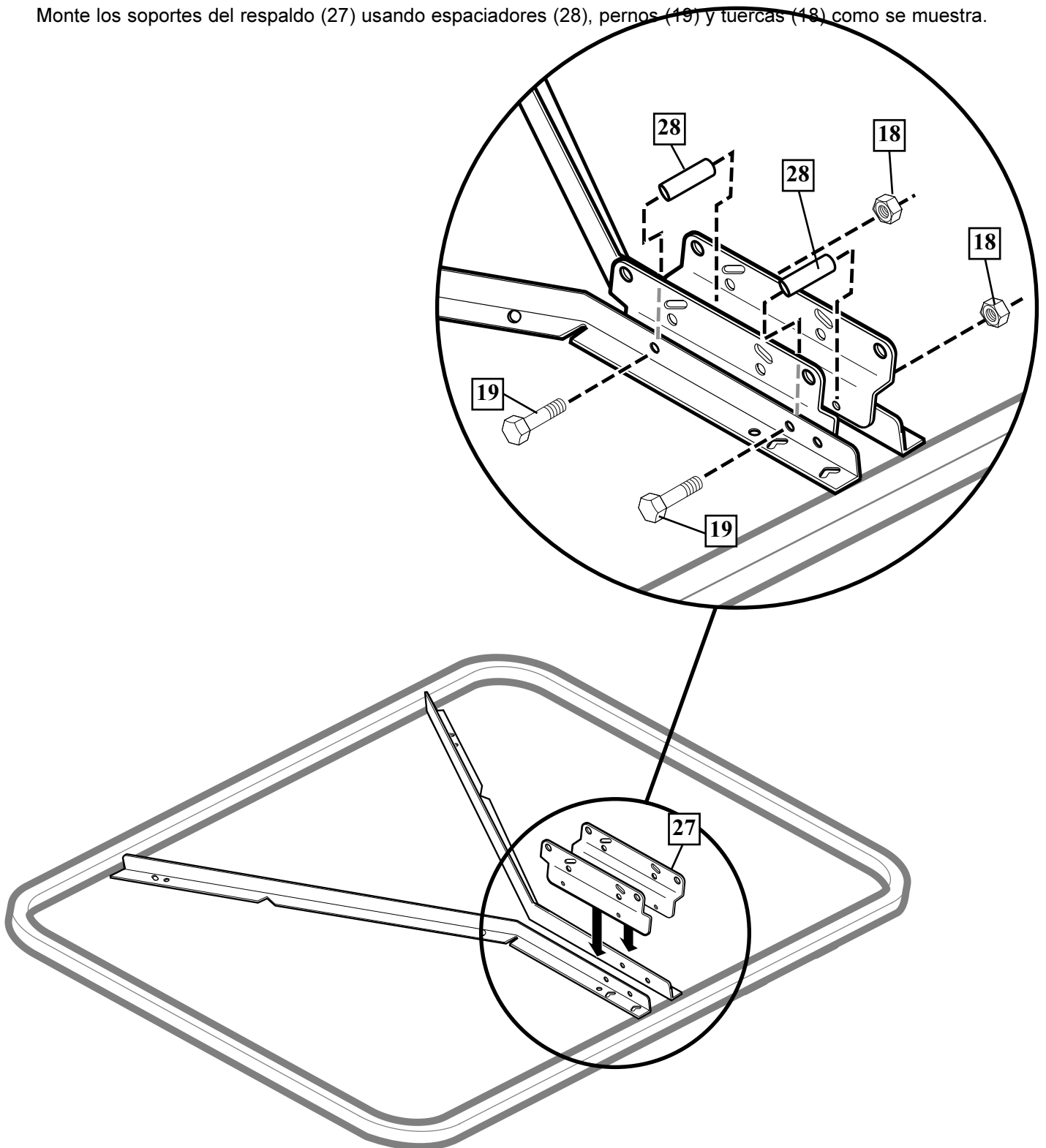


1.

Assemblez les supports de panneau (27) à l'aide des entretoises (28), des boulons (19) et des écrous (18), comme illustré.

Die Korbwandklammern (27) wie gezeigt mit Abstandsstücken (28), Schrauben (19) und Muttern (18) zusammenbauen.

Monte los soportes del respaldo (27) usando espaciadores (28), pernos (19) y tuercas (18) como se muestra.

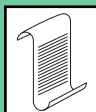
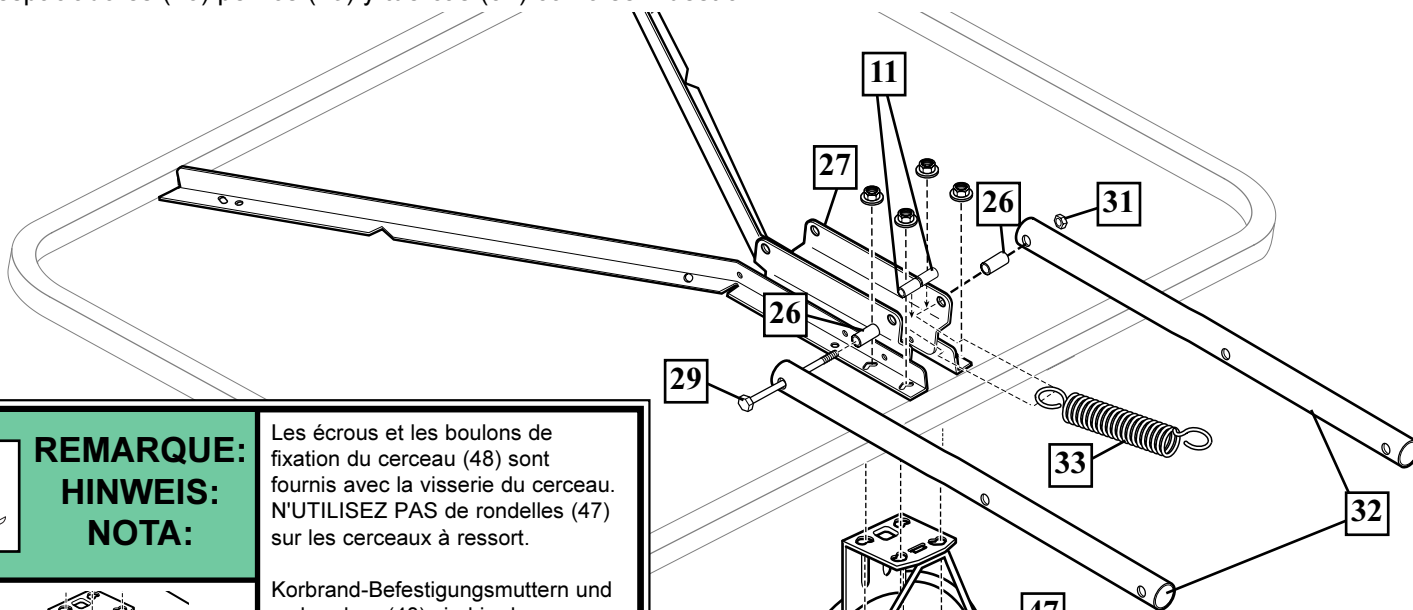


2.

Attachez les tubes inférieurs de l'élévateur (32) et le ressort de contrepoids (33) aux supports du panneau (27) à l'aide des entretoises (26), du boulon (29) et de l'écrou (31), comme illustré.

Die unteren Verlängerungsröhre (32) und die Gegengewichtsfeder (33) wie gezeigt mit Abstandsstücken (26), Schraube (29) und Mutter (31) an den Korbwandstützklammern (27) befestigen.

Conecte los tubos elevadores inferiores (32) y el resorte de contrapeso (33) en los soportes del respaldo (27) usando espaciadores (26) pernos (29) y tuercas (31) como se muestra.

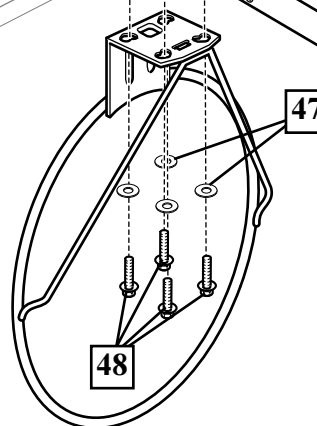
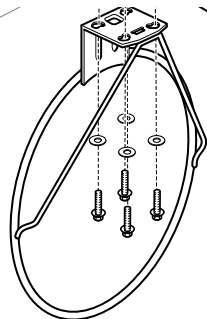


REMARQUE:
HINWEIS:
NOTA:

Les écrous et les boulons de fixation du cerceau (48) sont fournis avec la visserie du cerceau. N'UTILISEZ PAS de rondelles (47) sur les cerceaux à ressort.

Korbbrand-Befestigungsmuttern und -schrauben (48) sind in den Befestigungsteilen des Korbbrands enthalten. An Federkorbbränden KEINE Unterlegscheiben (47) benutzen.

Las tuercas y los pernos para el montaje del borde (48) se suministran con el herraje del borde. NO use arandelas (47) aquí en los bordes estilo retorno de resorte.



Pour l'assemblage du cerceau, reportez-vous aux instructions fournies avec les pièces de fixation du cerceau.

Bei der Korbbrandmontage ist die den Befestigungsteilen des Korbbrands beiliegende Anleitung zu beachten.

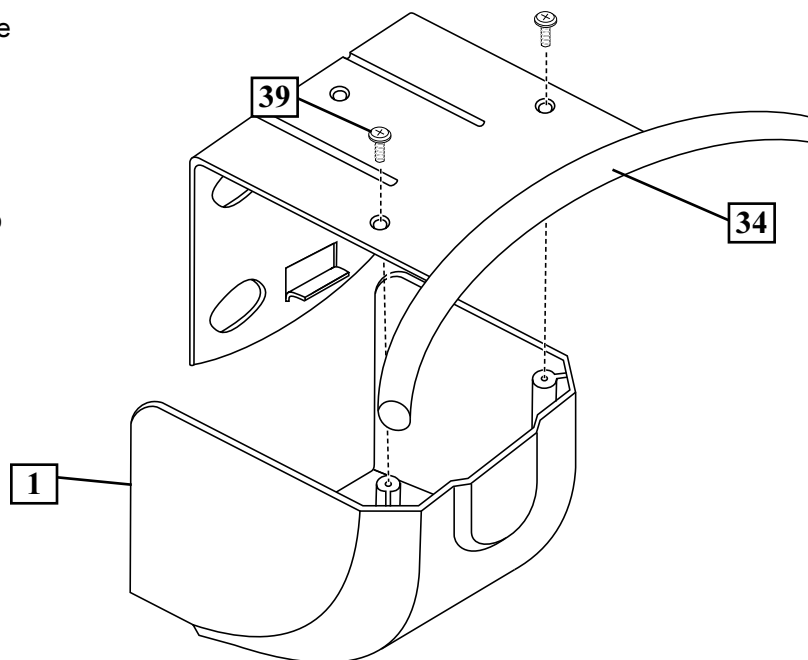
Consulte las instrucciones que se incluyen con el herraje del borde para el montaje del borde.

3.

Installez le couvercle (1) sur le mécanisme de retour du ressort, comme illustré.

Die Abdeckung (1) wie über dem Federrückholmechanismus anbringen.

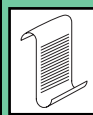
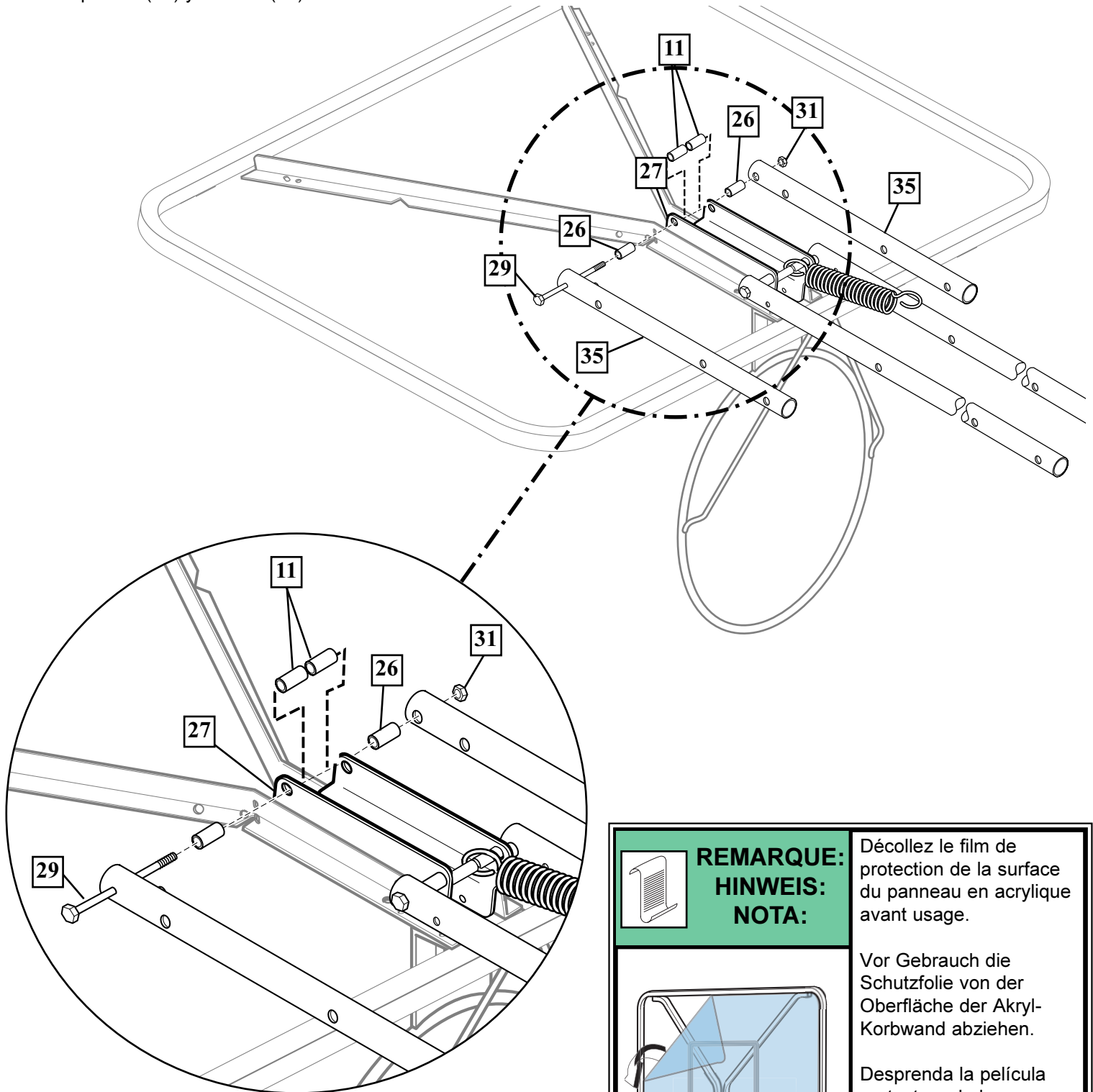
Instale la cubierta (1) sobre el mecanismo de retorno de resorte como se muestra.



4. Attachez les tubes supérieurs du système élévateur (35) aux supports du panneau (27) à l'aide des entretoises (26 & 11), du boulon (29) et de l'écrou (31), comme illustré.

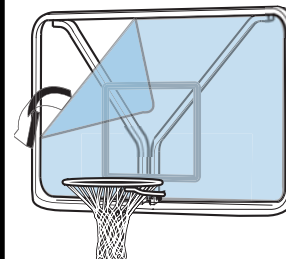
Die oberen Verlängerungsrohre (35) wie gezeigt mit Abstandsstücken (26 u. 11), Schraube (29) und Mutter (31) an den Korbwandstützklammern (27) befestigen.

Conecte los tubos elevadores superiores (35) en los soportes del respaldo (27) usando espaciadores (26 y 11) pernos (29) y tuercas (31) como se muestra.



REMARQUE:
HINWEIS:
NOTA:

Décollez le film de protection de la surface du panneau en acrylique avant usage.



Vor Gebrauch die Schutzfolie von der Oberfläche der Akryl-Korbwand abziehen.

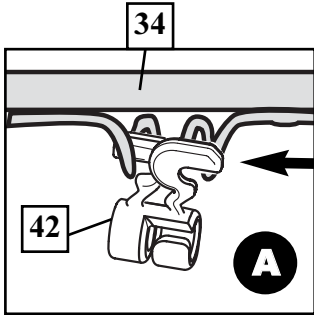
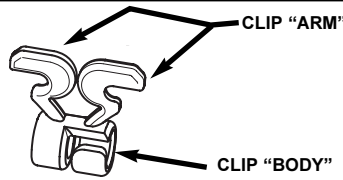
Desprenda la película protectora de la superficie del respaldo de acrílico antes de usarlo.

5.

Installez les pinces.

Netzhalteklammern (Clips) anbringen.

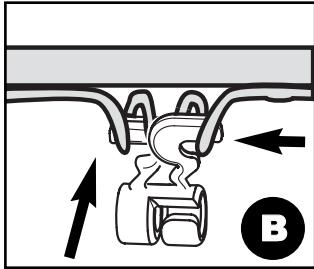
Instale los sujetadores.



Insérez un " bras " de la pince dans l'éperon, comme illustré. Tournez légèrement le corps de la pince de sorte que le second bras glisse par-dessus le premier, comme illustré. Poussez dans le sens des flèches.

Einen Arm des Clips wie gezeigt in die Spirale einsetzen. Den Hauptteil des Clips etwas drehen, sodass der zweite Arm wie gezeigt oben über den ersten Arm geschoben werden kann. In die durch die Pfeile angezeigte Richtung schieben.

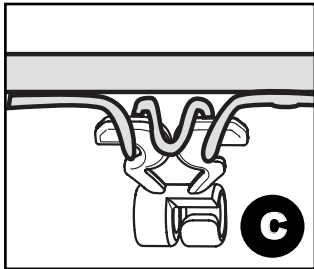
Introduzca un "brazo" del sujetador en el accionador como se muestra. Tuerza ligeramente el "cuerpo" del sujetador de manera que el segundo "brazo" se deslice sobre el primer "brazo" como se muestra. Empuje hacia la dirección que indican las flechas.



Rétractez le second " bras " dans l'éperon, comme illustré.

Den zweiten Arm wie gezeigt nach innen drücken und in die Spirale stecken.

Empuje el segundo "brazo" hacia atrás y hacia el accionador como se muestra.



Tournez légèrement le corps de la pince une nouvelle fois pour en étaler les bras. Les bras doivent être à plat et se toucher bord à bord, comme illustré, sans se chevaucher.

Den Hauptteil des Clips noch einmal leicht drehen, um die Arme des Clips zu spreizen. Die Arme des Clips müssen flach liegen und sich wie gezeigt an den Kanten berühren, ohne einander zu überlappen.

Otra vez tuerza ligeramente el "cuerpo" del sujetador para abrir los "brazos" del sujetador. Los "brazos" del sujetador deben quedar planos y tocándose de borde a borde, sin traslaparse, como se muestra.

**AVERTISSEMENT !
WARNING!
¡ADVERTENCIA!**

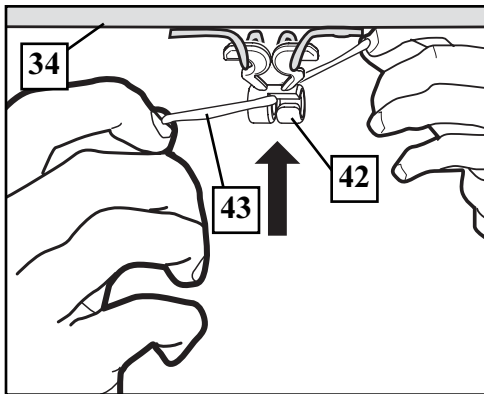
L'UTILISATION DE CE PRODUIT SANS L'INSTALLATION CORRECTE DES SMART CLIPS® OU EN L'ABSENCE DE CERTAINES SMART CLIPS® EXPOSE LES JOUEURS À DES BLESSURES. VEILLEZ À SUIVRE SCRUPULEUSEMENT CES INSTRUCTIONS.

EIN GEBRAUCH DIESES PRODUKTS OHNE ORDNUNGSGEMÄSS ANGEBRACHTE SMART CLIPS® BZW. MIT FEHLENDEN SMART CLIPS® KANN VERLETZUNGEN NACH SICH ZIEHEN. DIE ANLEITUNG GENAU BEFOLGEN.

EL USO DE ESTE PRODUCTO SIN LA INSTALACIÓN ADECUADA DE LOS SUJETADORES SMART CLIP®, O LA FALTA DE ELLOS PUEDE DAR COMO RESULTADO DAÑOS CORPORALES. ASEGÚRESE DE SEGUIR CUIDADOSAMENTE LAS INSTRUCCIONES.

INSTALLATION DU FILET/ANBRINGUNG DES NETZES/INSTALACIÓN DE LA RED

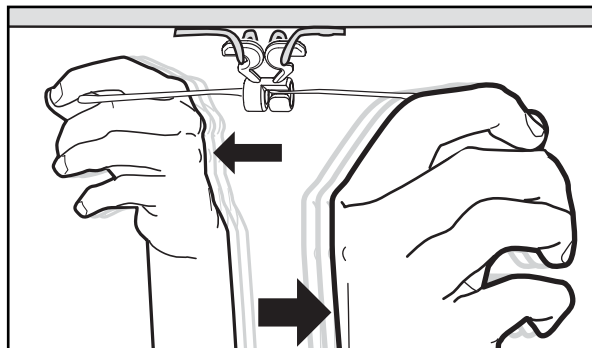
6.



Insérez le filet dans la base de la pince, comme illustré.

Das Netz wie gezeigt unten in den Clip stecken.

Introduzca la red en la parte inferior del sujetador como se muestra.

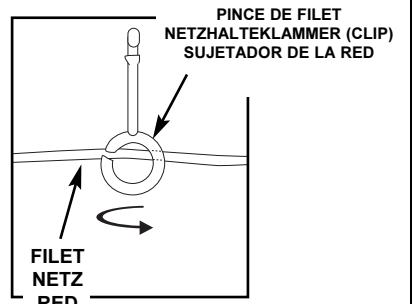
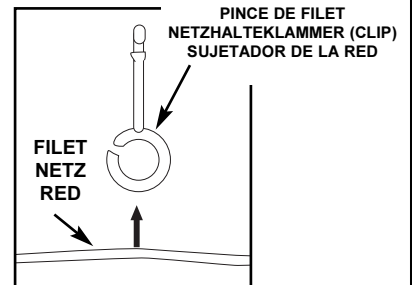


Tournez le filet jusqu'à ce qu'il s'enclenche en position. Le filet doit être centré dans la pince.

Das Netz drehen, bis es einschnappt. Das Netz muss im Clip zentriert werden.

Tuerza la red hasta que quede conectada en su posición. La red debe quedar centrada a través del sujetador.

VUE DE CÔTÉ
SEITENANSICHT
VISTA LATERAL

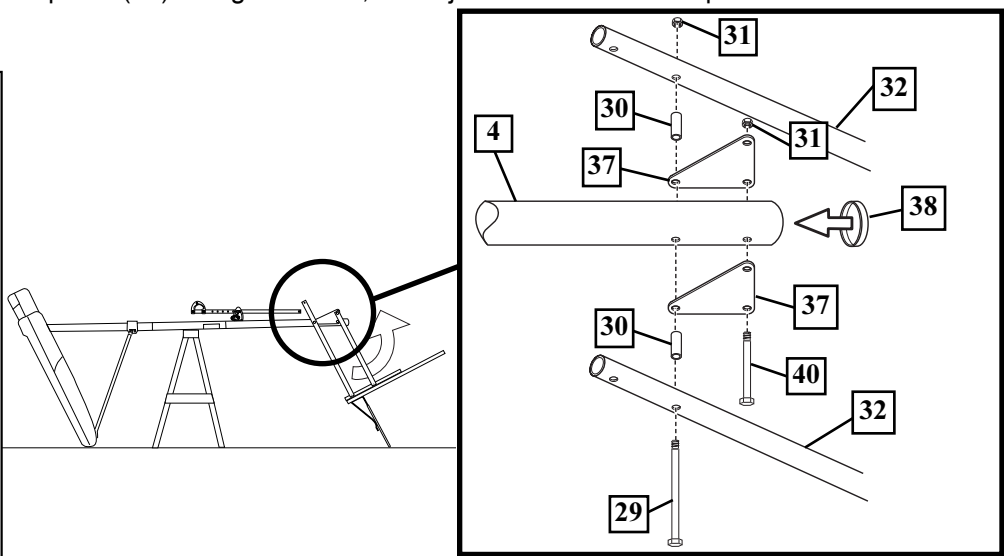


7. Appuyez le poteau sur le banc de sciage. Attachez le panneau à la section de poteau supérieure (4), comme illustré. Installez le capuchon du poteau (38). Soyez prudent, car le système élévateur est lourd.

Die Stange auf einen Sägebock legen. Die Korbwandbaugruppe wie gezeigt am oberen Stangenteil (4) befestigen. Die Stangenkappe (38) aufsetzen. Bitte vorsichtig zu Werke gehen; die Verlängerungsbaugruppe ist sehr schwer.

Apoye el poste en un caballete de aserrar. Conecte el conjunto del respaldo en la sección superior del poste (4) como se muestra. Instale la tapa del poste (38). Tenga cuidado; el conjunto del elevador es pesado.

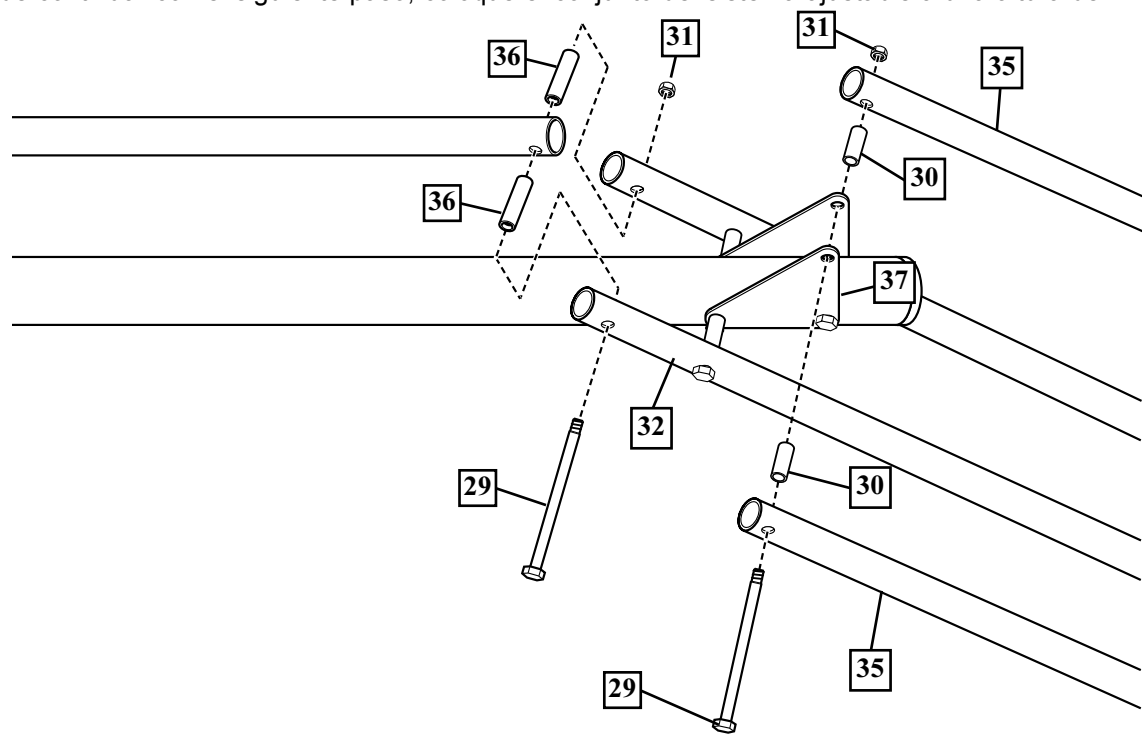
	AVERTISSEMENT ! WARNUNG! ¡ADVERTENCIA!	
<p>SOYEZ PRUDENT, CAR LE SYSTÈME ÉLÉVATEUR EST LOURD. IL FAUT S'Y PRENDRE À DEUX POUR RÉALISER CETTE PROCÉDURE. SUIVEZ CET AVERTISSEMENT SOUS PEINE D'ENCOURIR DES BLESSURES GRAVES ET/OU DES DÉGÂTS MATÉRIELS.</p>		
<p>BITTE VORSICHTIG ZU WERKE GEHEN; DIE VERLÄNGERUNGSBAUGRUPPE IST SEHR SCHWER. DIESER VERFAHRENSCHRITT MUSS VON ZWEI PERSONEN AUSGEFÜHRT WERDEN. EIN MISSACHTEN DIESER WARNUNG KANN ZU SCHWEREN VERLETZUNGEN UND/ODER SACHSCHÄDEN FÜHREN.</p>		
<p>TENGA CUIDADO; EL CONJUNTO DEL ELEVADOR ES PESADO. SE REQUIEREN DOS PERSONAS PARA REALIZAR ESTE PROCEDIMIENTO. SI NO SE OBSERVA ESTA ADVERTENCIA SE PODRÍA OCASIONAR UNA LESIÓN GRAVE Y/O DAÑOS A LA PROPIEDAD.</p>		



8. Installez les tubes supérieurs du système élévateur (35) sur les plaques triangulaires (37), comme illustré. Installez la poignée sur les tubes inférieurs du système élévateur (32) en utilisant le boulon (29), les entretoises (36) et l'écrou (31), comme illustré. REMARQUE : Avant de passer à l'étape suivante, réglez le système réglable à 3,05 m.

Die oberen Verlängerungsröhre (35) wie gezeigt an den Dreiecksplatten (37) befestigen. Die Griffenheit wie gezeigt mit Schraube (29), Abstandsstücken (36) und Mutter (31) an den unteren Verlängerungsröhren (32) anbringen. HINWEIS: Bevor zum nächsten Schritt übergegangen wird, ist das Einstellsystem auf die 3,05-m- (10-Zoll)-Markierung einzustellen.

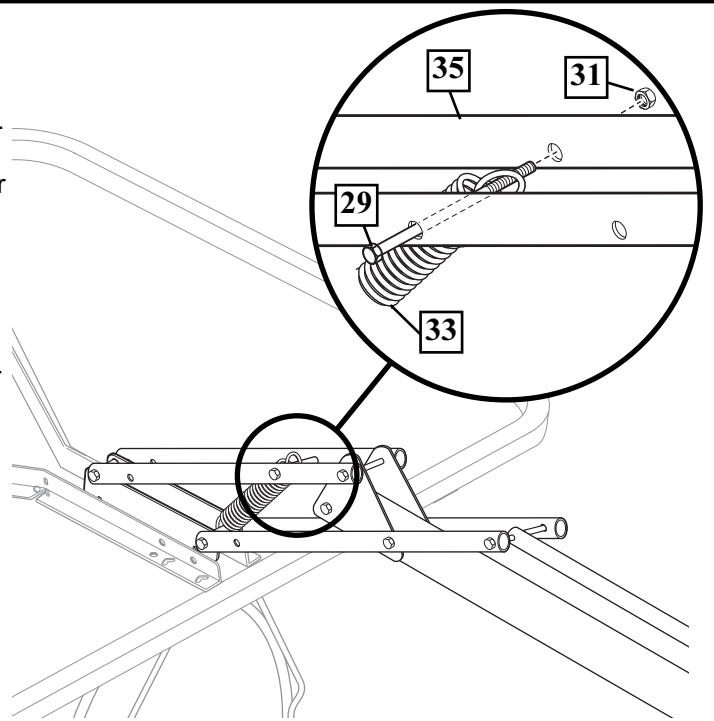
Instale los tubos elevadores superiores (35) en las placas triangulares (37) como se muestra. Instale el conjunto de la manija en los tubos elevadores inferiores (32) usando el perno (29), espaciadores (36) y la tuerca (31) como se muestra. NOTA: Antes de continuar con el siguiente paso, coloque el conjunto del sistema ajustable a una altura de 3,05 m (10').



9. Enfillez le boulon (29) dans le tube supérieur gauche du système élévateur (35), puis tendez le ressort (33) sur le boulon (29). Enfillez le boulon (29) dans le tube supérieur droit du système élévateur (35), puis fixez avec l'écrou (31).

Die Schraube (29) durch das linke obere Verlängerungsrohr (35) schieben und die Feder (33) über die Schraube (29) dehnen. Die Schraube (29) durch das rechte obere Verlängerungsrohr (35) schieben und mit der Mutter (31) sichern.

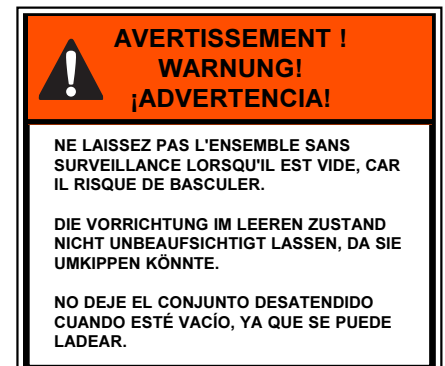
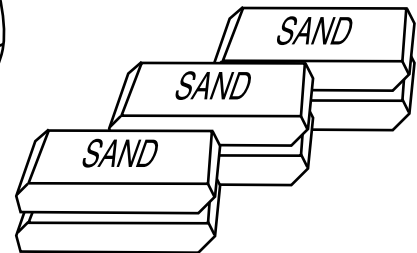
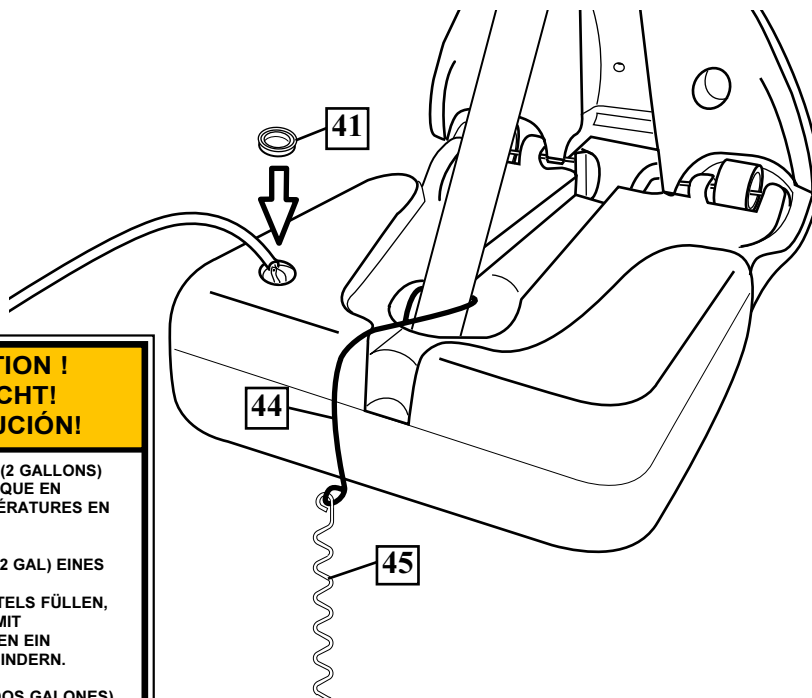
Introduzca el perno (29) a través del tubo elevador superior del lado izquierdo (35), luego estire el resorte (33) hasta el perno (29). Introduzca el perno (29) a través del tubo elevador superior del lado derecho (35) y asegure con la tuerca (31).



10. Faites rouler l'ensemble jusqu'à la position désirée. Remplissez le réservoir d'eau (129 litres environ) ou de sable (128 kg environ) et installez le bouchon (41). Fixez l'ensemble au sol à l'aide de la corde (44) et du piquet de fixation au sol (45).

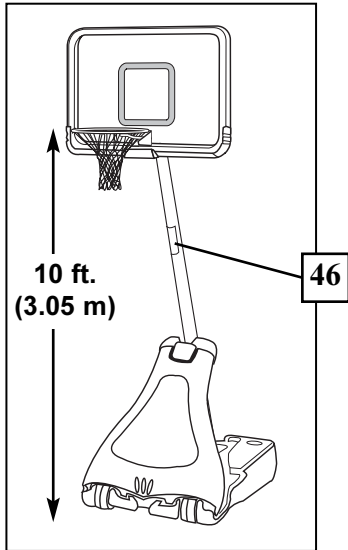
Den fertigen Aufbau an die gewünschte Position rollen. Den Tank mit Wasser (ca. 129 l [34 US-Gallonen]) oder Sand (ca. 128 kg [280 lbs]) füllen und den Tankdeckel (41) aufschnappen lassen. Den Aufbau mit dem Seil (44) und dem Bodenverankerungspfahl (45) im Boden sichern.

Ruede el conjunto completo a la posición deseada. Llene el tanque con agua (aproximadamente 34 galones (129 litros)) o con arena (aproximadamente 280 libras (128 kg)) y conecte a presión la tapa (41) en su lugar. Asegure el conjunto en el piso usando la cuerda (44) y la estaca de amarre (45).



**SECTION C : APPLIQUEZ L'ÉTIQUETTE DE HAUTEUR ET DE DÉPLACEMENT ET DE RÉGLAGE DE HAUTEUR
 BAUABSCHNITT C: ANBRINGUNG DES HÖHENEINSTELL- UND TRANSPORTAUFKLEBERS UND HÖHENEINSTELLUNG
 SECCIÓN C: APLICACIÓN DE LA ETIQUETA DE ALTURA Y MOVIMIENTO Y AJUSTE DE LA ALTURA**

- 1.** Collez l'étiquette d'échelle de hauteur et de déplacement (46) sur l'avant du poteau, comme illustré.
 Höheneinstell- und Transportaufkleber (46) wie gezeigt an der Vorderseite der Stange anbringen.
 Aplique la etiqueta de ajuste de la altura y de movimiento (46) en la parte frontal del poste, como se muestra.



**AVERTISSEMENT !
 WARNUNG!
 ¡ADVERTENCIA!**

Il est obligatoire de s'y prendre à deux pour cette procédure. SUIVEZ CET AVERTISSEMENT SOUS PEINE D'ENCOURIR DES BLESSURES GRAVES ET/OU DES DÉGÂTS MATÉRIELS.

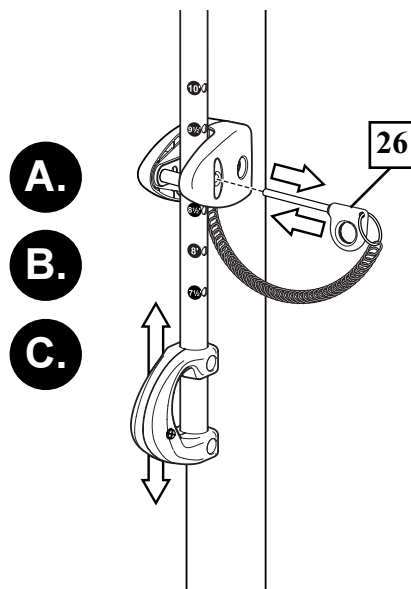
Dieses Schritt muss von zwei Personen ausgeführt werden. EIN MISSACHTEN DIESER WARNUNG KANN ZU SCHWEREN VERLETZUNGEN UND/ODER SACHSCHÄDEN FÜHREN.

Se requieren dos personas para realizar este procedimiento. SI NO SE OBSERVA ESTA ADVERTENCIA SE PODRÍA OCASIONAR UNA lesión GRAVE Y/O DAÑOS A LA PROPIEDAD.

- 2.** **A.** Tout en tenant la poignée, retirez la goupille (26). **B.** Remontez ou descendez le système élévateur à la hauteur souhaitée. **C.** Réinsérez la goupille (26) à fond pour bloquer le système à cette hauteur.

A. Bei festgehaltenem Griff den Stift (26) herausziehen. **B.** Die Verlängerungsvorrichtung bis zur gewünschten Höhe nach oben oder unten verschieben. **C.** Den Stift (26) zum Verriegeln des Systems auf der gewünschten Höhe ganz hineinschieben.

A. Mientras sujeta la manija, quite el pasador (26). **B.** Mueva el elevador hacia arriba o hacia abajo hasta la altura deseada. **C.** Vuelva a insertar el perno (26) en toda su longitud para fijar el sistema a la altura deseada.



**AVERTISSEMENT !
 WARNUNG!
 ¡ADVERTENCIA!**

INTERDISEZ À UN ENFANT DE RÉGLER LA HAUTEUR.

KINDERN DARF DAS VERSTELLEN DER HÖHE NICHT GESTATTET WERDEN.

NO PERMITA QUE LOS NIÑOS AJUSTEN LA ALTURA.